

The logo for the PAX-i (PCH-2500) features a stylized red and white circular icon to the left of the text "PAX-i" in a large, bold, sans-serif font. To the right of "PAX-i" is the model number "(PCH-2500)" in a smaller, regular sans-serif font.

User Manual | Version 2.0.0

A horizontal decorative bar at the bottom of the page, divided into three segments: red, grey, and orange.

English

innovation **i**nside

"i" stands for 'innovation', one of the core values of VATECH, which aims to expand accessibility of medical solutions to more people.

Table of Contents

1.	General Information	08
1.1	Notice	08
1.2	Manufacturer's Liability	09
1.3	Owner and Operator's Obligations	09
1.4	Conventions in this Manual	10
2.	Warnings and Precautions	12
2.1	General Safety Precautions.....	12
2.2	Electricity-related Safety Precautions.....	16
2.3	Radiation Safety	17
2.4	Warnings	18
3.	PaX-i Imaging System Overview.....	22
3.1	Introduction.....	22
3.1.1	System Components.....	22
3.1.2	Features.....	22
3.1.3	The PaX-i Options.....	23
3.1.4	Standards and Regulations.....	23
3.2	Imaging System Structure	24
3.3	General View of the PaX-i	27
3.3.1	Laser Beams.....	29
3.3.2	The Exposure Switch.....	29
3.3.3	Emergency Stop Button	30
3.3.4	Components and Positioning Accessories	31
3.4	Examination Programs and Exposure Time	32
3.4.1	PANO Mode.....	32
3.4.2	CEPH Mode.....	34
3.5	Marks and Symbols.....	34

4.	Software Overview	38
4.1	PC System Requirements (Recommended)	38
4.2	EasyDent	39
4.3	Imaging Software Overview.....	40
4.3.1	PANO Mode.....	44
4.3.2	CEPH Mode.....	48
5.	Getting Started	52
5.1	Turning on the PaX-i.....	52
5.2	Running the Image Viewer – EasyDent.....	53
5.2.1	Creating a New Patient Record	53
5.2.2	Retrieving Patient Records	54
5.3	Initiating the Imaging Program.....	55
6	Acquiring PANO Images.....	58
6.1	PANO Imaging Program.....	58
6.2	Setting Exposure Parameters.....	63
6.3	Positioning the Patient.....	66
6.3.1	Pano Standard Mode (QR Code).....	67
6.3.2	TMJ Open Mode	71
6.3.3	TMJ Close Mode.....	74
6.3.4	Sinus Mode.....	75
6.4	Initiating X-Ray Exposure	78
7	Acquiring CEPH Images	84
7.1	Setting the Exposure Parameters.....	84
7.2	Positioning the Patient.....	86
7.2.1	Frontal Mode (PA).....	87
7.2.2	Lateral Mode (QR Code).....	89

7.2.3	SMV Mode	90
7.2.4	Waters View Mode.....	92
7.2.5	CARPUS Mode.....	93
7.3	Initiating X-Ray Exposure	94
8.	Troubleshooting	98
9.	Cleaning and Maintenance	100
9.1	Cleaning	100
9.2	Maintenance	101
10.	Disposing of the Unit	104
11.	Technical Specifications	106
11.1	Mechanical Specifications	106
11.2	Technical Specifications	112
11.3	Electrical Specifications.....	115
11.4	Environmental Specifications	116
 Appendices		
1.	Recommended X-Ray Exposure Table	118
2.	X-Ray Dose Data.....	120
2.1	DAP Table	120
2.2	X-Ray Scatter Dose.....	121
3.	Abbreviations	123

1

General Information

1.1	Notice	08
1.2	Manufacturer's Liability	09
1.3	Owner and Operator's Obligations	09
1.4	Conventions in this Manual	10

1. General Information

1.1 Notice

Thank you for purchasing the **PaX-i** extra-oral imaging system.

The **PaX-i** is an advanced digital dental diagnostic system that incorporates a panoramic and Cephalometric (optional) imaging capabilities into a single system.

This manual describes how to operate the **PaX-i** system. It is recommended that you thoroughly familiarize yourself with this manual in order to make the most effective use of this equipment. Observe all cautions, safety messages and warnings which appear in this manual.

The **QR** code linked to video file about image capture for the **PANO Standard** and **CEPH Lateral** is provided in the manual. The smart phone and pad which have the QR code reader application program can be used to watch video.

Due to a constant improvement technologically, the manual may not contain the most updated information, subjecting to change without prior notice to the persons concerned. For further information not covered in this manual, please contact us at:

VATECH Co., Ltd.

Phone: +82-1588-9510

E-mail: gcs@vatech.co.kr

This document is originally written in English.

The PaX-i is referred to as Equipment in this manual.

Manual Name: PaX-i (PCH-2500) User Manual

Version: 2.0.0

Publication Date: 2012-11

1.2 Manufacturer's Liability

The manufacturers and/or retailers of this equipment assume responsibility for the safe and normal operation of this product *only when*:

- The equipment has been installed by a VATECH authorized technician.
- The equipment has been installed in accordance with all of the cautions and conditions for installation.
- Genuine VATECH approved equipment and components have been used at all times.
- All maintenance and repairs have been performed by a VATECH authorized agent.
- The equipment has been used normally in accordance with the user's manual.
- The equipment damage or malfunction is not the result of an error on the part of the owner or operator.

1.3 Owner and Operator's Obligations







- The owner of this equipment shall perform constancy tests at regular intervals in order to ensure patient and operator safety. These tests must be performed in accordance with local X-Ray safety regulations.
- The owner of this equipment shall perform regular inspection and maintenance of the mechanical and electrical components in this equipment to ensure safe and consistent operation (IEC 60601-1).

The owner of this equipment shall ensure inspection and cleaning works are performed in accordance with the maintenance schedule outlined in **Chapter 9: Cleaning and Maintenance**.

1.4 Conventions in this Manual

The following symbols are used throughout this manual. Make sure that you fully understand each symbol and follow the instructions which accompany it.

To prevent personal injury and/or damage to the equipment, please observe all warnings and safety information included in this document.

	WARNING	Indicates information that should be followed with the utmost care. Failure to comply with a warning may result in severe damage to the equipment or physical injury to the operator and/or patient.
	CAUTION	Indicates a situation that demands prompt and careful action, a specific remedy, or emergency attention.
	X-RAY	Indicates a possible danger of exposure to radiation.
	IMPORTANT	Indicates a situation or action that could potentially cause problems to the equipment and/or its operation.
	NOTE	Emphasizes important information or provide useful tips and hints.
	SINGLE USE	Indicates a component which must be replaced for each new patient.

2

Warnings and Precautions

2.1	General Safety Precautions.....	12
2.2	Electricity-related Safety Precautions.....	16
2.3	Radiation Safety	17
2.4	Warnings	18

2. Warnings and Precautions



Be sure to strictly observe all warnings and safety instructions included in this manual.

2.1 General Safety Precautions

Operator qualifications

This equipment may only be operated by personnel fully trained in its operation.

- To operate this equipment, all operators must:
 - have read and understood the user's manual
 - be familiar with the fundamental structure and functions of this equipment
 - be able to recognize irregularities in the operation of this equipment and implement appropriate measures to remedy such irregularities.

General safety precautions

- Follow the instructions specified in this manual to ensure the safety of both the patient and the operator.
- The operator must maintain visual contact with the patient at all times during imaging.
- Do not open or remove the cover panels on this equipment. Always have a trained and authorized service technician carry out inspection and maintenance of this equipment.
- Do not place foreign objects on this equipment at any time.
- Do not place any objects within this equipment's field of operation.
- Do not push or pull the equipment. If equipment overbalances, resulting in the risk of physical injuries or property damage.
- Operators must ask the patient to remain still until the equipment arm has stopped moving and the reset motion is complete.

- Observe all local fire regulations. Always keep a fire extinguisher near the equipment.
- The operator of this equipment must be familiar with this equipment's emergency protocols.
- Ensure that this equipment is kept away from water, moisture, or foreign substances at all times.
- If this product is exposed to water, moisture, or a foreign substance, immediately turn off all power to the equipment and contact your VATECH technical support representative.
- Immediately cease all operation of this equipment if there are signs of oil leakage and contact you VATECH technical support representative.

Ventilation

- Do not obstruct the equipment's ventilation for air opening. Improper ventilation could result in the equipment overheating due to a lack of air circulation.
- Do not spray any type of liquid or aerosol on this equipment as this may penetrate the system and damage the electrical and mechanical components inside.
- Always leave a sufficient amount of space around the PC to allow for proper ventilation.

Hygiene



Always disconnect the equipment from the power outlet when disinfecting the surfaces of the equipment.

- All removable patient support components (bite block, chin support, temple supports) can be cleaned using alcohol-based cleaning solutions.
- Patient support handles can be cleaned using alcohol-based cleaning solutions.
- Other surfaces of the equipment, including the touch screen, can be cleaned using a soft cloth dampened with a mild cleaning solution.



- Disinfect the components (bite block, temple supports etc.) of the equipment that come into contact with the patient or the operator after each exposure.
- New hygiene cover must be provided for each new patient to prevent the transmission of communicable disease.



Do not use aerosol or spray cleaning agents directly on the surface of the equipment.

Condensation

- Extreme fluctuations in temperature may cause condensation to develop inside the equipment. Do not turn on the equipment until it has reached room temperature.

Cooling

- Allow the proper amount of cool down time (for the X-Ray tube to cool down) to elapse between each image acquisition.
 - Mode of operation: Continuous operation with intermittent loading.
 - Exposure time: Max. 20.2 s / Resting time: 5 min.
 - Column operation time: 1 min / Resting time: 9 min
- If the temperature inside the tube head reaches 60 °C, X-Ray exposure will cease and an error message will be displayed. Normal X-Ray capabilities will resume after the generator reaches 58 °C (136.4 °F).
- If the fan (optional) is installed, it operates automatically when the temperature surrounding the tube head reaches the pre-defined level: 40 °C (104 °F). The set point temperature is configurable.

Turning the equipment on / adjusting the height of the equipment

- Do not position the patient in the equipment while it is initiating as the patient could be injured if the equipment malfunctions.
- Ensure that the patient is kept clear of the mechanism while adjusting the height of the equipment.

Emergency stop

- If a problem occurs during image acquisition, press the red emergency stop button to immediately stop all moving parts and cut off all power to the equipment.

Trouble-free operation

- Never use this equipment in an environment that is susceptible to explosion.
- Always operate the equipment within a temperature range of 10 °C to 35 °C (50 °F to 95 °F) for the safe operation. Image quality may deteriorate if the equipment is operated outside of this range.
- Always allow the equipment sufficient time to warm up (while switched on) if it has been exposed to temperatures of below 10 °C (50 °F).
- Only perform X-rays of patients if system is in full working order.
- Always ensure that equipment movement is not obstructed by the patient's clothing, medical device (such as a wheelchair), or the patient themselves.
- Do not leave the patient unattended around the equipment.
- Remove all radio-controlled devices, mobile phones, etc. from the X-Ray room prior to image acquisition as these objects may cause the equipment to malfunction.

Modifying the equipment

- Modifying the equipment in any way which may affect the safety of the operator, patient or other persons is prohibited by law.
- No part of this equipment is serviceable by the user. All maintenance and repair of this equipment must be performed by a qualified service technician.
- This product may only be operated with original VATECH accessories or third-party accessories expressly approved by VATECH.

2.2 Electricity-related Safety Precautions

- Check the status of the power source, PC and cables prior to operating the equipment.
- Ensure that the on/off switch is set to off when the equipment is not in use.
- Always disconnect the power supply before cleaning the equipment.
- Always keep electrical cords away from hot appliances or radiators.
- DO NOT place the PC or peripheral equipment connected to the PC in the immediate vicinity of the patient.
- The equipment and PC should be connected to a common protective earth.
- Never overload the equipment's circuit by sharing it with too many appliances.
- Use the same power circuit for the PC and the equipment.

Combining this equipment with other devices

- Do not connect this equipment to devices which are not part of the system.
- Do not connect this equipment to a Multiple Portable Socket-Outlet (MPSO) or extension cord.

Electromagnetic compatibility

- The PaX-i X-Ray unit complies with IEC standard 60601-1-2.

Medical electrical equipment is subject to special EMC preventive measures. It must be installed and operated as specified in the **Installation Requirements** document.

If high-voltage systems, radio link systems or MRI systems are located within 5 m of the unit, please observe the specifications stated in the installation requirements.

Portable and mobile RF communications equipment may interfere with medical electrical equipment. Therefore, the use of mobile wireless phones in medical offices or hospital environments must be prohibited.

For more details, refer to the document **Electromagnetic Compatibility Information**.



ElectroStatic Discharge

Connector pins or sockets bearing ESD warning labels must not be touched or interconnected without observing ESD protective measures.

2.3 Radiation Safety



Since rules and regulations concerning radiation safety differ between countries, it is the responsibility of the owner and/or operator of this equipment to comply with all applicable rules and regulations concerning radiation safety and protection in their area.

- The operator must remain outside a shielded room during X-Ray exposure in order to protect himself/herself from radiation.
- The patient must wear a lead apron with neck and thyroid protection during X-Ray exposure.
- Children and pregnant women must consult with a doctor before X-Ray exposure.
- This equipment must be housed inside an X-Ray shielded room.
- During imaging; the operator must maintain visual contact with the patient from outside the shielded area.
- The operator should continuously check the status of the patient and the equipment during imaging.
- The operator must immediately stop imaging if the equipment malfunctions.



As a manufacturer of radiology equipment that conforms to stringent protection standards around the world, we guarantee the maximum degree of protection against radiation hazards for our equipment.

2.4 Warnings

The following warning statements should be obeyed with the utmost care. Failure to follow these warnings may cause severe damage to the equipment or physical injuries to the patient and/or operator.



X-Ray equipment is hazardous to patient and the operator if proper exposure safety measures and/or operating instructions are not observed.

It is important to read this user manual carefully and strictly abide by all warnings and cautions stated within it.

Lasers

- The system incorporates Class 1 laser products. The light localizers used in this product are intended for correct patient positioning and must not be used for any other purpose.
- For maximum safety, advise the patient not to look directly at the laser beam.
- While adjusting the patient, ensure that the laser beam is not directed at the patient's eyes.



Risk of eye injury!

Do not use this equipment with any other laser sources and do not make any changes to the settings or processes that are described in these operating instructions.

Cleaning

- Never expose this equipment to liquids, mists or sprays. Exposing this equipment to liquids may cause an electrical shock or otherwise damage the system.
- Do not use spray cleaners on this equipment, as this could cause a fire.

During Operation

- Never use this equipment in an environment that is susceptible to explosion.
- Do not place flammable materials near this equipment.
- Do not operate the PC or Touch screen while the equipment is performing an operation. Failure to comply with this instruction may result in system malfunction.
- Immediately stop imaging if the equipment malfunctions in any way.
- If a problem occurs during imaging, press the red emergency stop button located on top of the handle frame to immediately stop all moving parts and cut off all power to the equipment's electrical components.
- Never touch the patient while also touching the SIP/SOP connectors.

In case of electrical fire

- Use only fire extinguishers designed for electrical fires to extinguish fires on this equipment.

Liquid extinguishers, such as those which use water, could damage the equipment and/or cause injury.

- Unplug the equipment's power cable before extinguishing any fire.

Installation

- In order to avoid overbalancing equipment, install the equipment on the flat floor and maintain its horizontality.
- Do not push or pull the equipment. The risk of physical injuries or property damages may result as the equipment overbalances
- Equipment should be installed by complying with the instructions for use.

PaX-i Imaging System Overview

3.1	Introduction.....	22
3.1.1	System Components.....	22
3.1.2	Features.....	22
3.1.3	The PaX-i Options.....	23
3.1.4	Standards and Regulations.....	23
3.2	Imaging System Structure	24
3.3	General View of the PaX-i	27
3.3.1	Laser Beams.....	29
3.3.2	The Exposure Switch	29
3.3.3	Emergency Stop Button	30
3.3.4	Components and Positioning Accessories	31
3.4	Examination Programs and Exposure Time	32
3.4.1	PANO Mode.....	32
3.4.2	CEPH Mode.....	34
3.5	Marks and Symbols.....	34

3. PaX-i Imaging System Overview

3.1 Introduction

The **PaX-i** is an advanced digital dental diagnostic system that incorporates a panoramic and cephalometric (optional) imaging capabilities into a single system.

The **PaX-i** system is intended for use to take a panoramic and cephalometric images of the oral and craniofacial anatomy to provide diagnostic information for adult and pediatric patients.

The **PaX-i** system uses the advanced sensors to produce the higher quality of image in 2D of the head region, including the dental/maxillofacial regions, for planning and diagnostics.

The system includes the following software packages:

- **EasyDent** for 2D viewing and patient management
- **Imaging software**

The **PaX-i** may only be used by dentists, X-Ray technicians and other professionals who are licensed to perform X-rays by the law of the region in which it is being used. (The PaX-i may be used for ENT (Ear, Nose and Throat) examination in countries requiring the CE marking.)

3.1.1 System Components

- PaX-i digital X-Ray equipment
- PC
- EasyDent: 2D viewer and patient management software
- Imaging software

3.1.2 Features

- A 2-in-1 imaging solution: PANO and CEPH (optional) imaging combined in single equipment.

- Improved image processing algorithms:
 - **Magic PAN:** A high quality image reconstructed from the optimal auto-focused images in each segment throughout the panoramic region to correct the improper patient positioning and rotating unit's trajectory (optional).
 - **UHD:** Generates High Definition quality PANO images (optional).
 - **AF:** ROI is auto-focused to acquire more accurate images (optional).
 - **Metal Artifact Reduction:** Metal artifacts are minimized to improve image quality.
- CAN (Controlled Area Network) is employed to provide reliability and dependability.

3.1.3 The PaX-i Options

The following options are all based on the **PaX-i**.

Item	Description		Remark
PaX-i	PANO only		
PaX-i SC	PANO + CEPH (Scan type)		2 in 1
PaX-i OS	PANO + CEPH (One shot type)	Standard	2 in 1
PaX-i OP	PANO + CEPH (One shot type)	Premium	2 in 1

3.1.4 Standards and Regulations

Standards:

The PaX-i is designed and manufactured to meet the following standards:

IEC/EN/UL 60601-1, IEC/EN 60601-1-1, IEC/EN 60601-1-2,

IEC/EN 60601-1-3, IEC/EN 60601-2-7, IEC/EN 60601-2-28,

IEC/EN 60601-2-32, ISO 9001, ISO 13485

NEMA Standard publication PS 3.1-3.18, 2008

X-Ray source assembly [HDG-07B10T2] IEC 60601-2-28 (1993)



The CE symbol grants this equipment compliance with the European Directive for Medical Devices 93/42/EEC as amended by 2007/47/EC as a class IIb device.



UL symbol grants this equipment compliance with the UL 60601-1 / CAN/ CSA C22.2 No.601.1

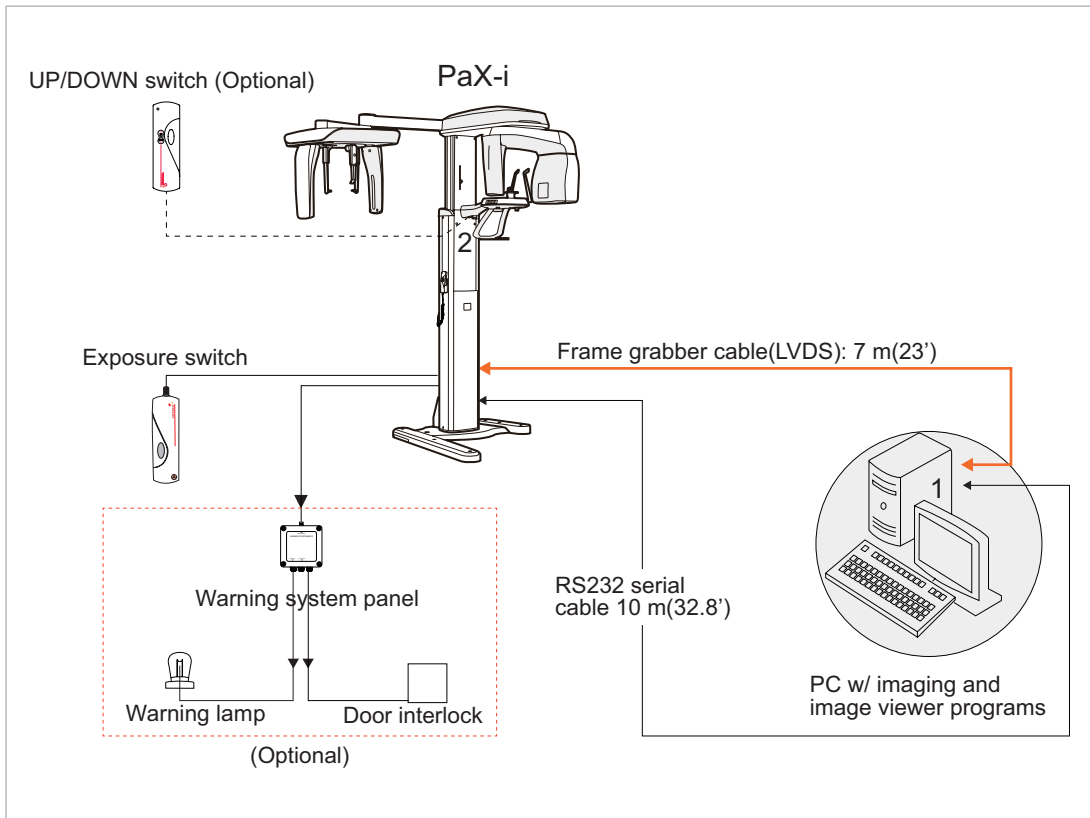
Classifications (IEC60601-1 6.1):



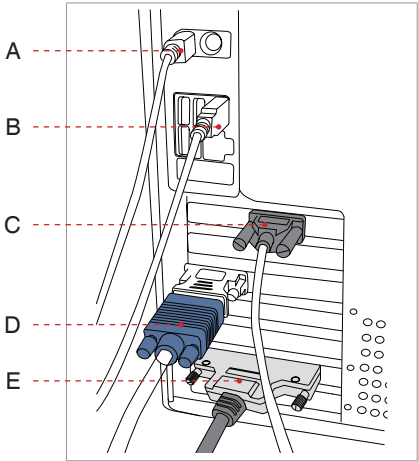
Protection against the ingress of water: Ordinary Equipment: IPX0
 Protection against electric shock: Class 1 equipment, Type B Applied Parts

3.2 Imaging System Structure

Case A: LVDS Cable

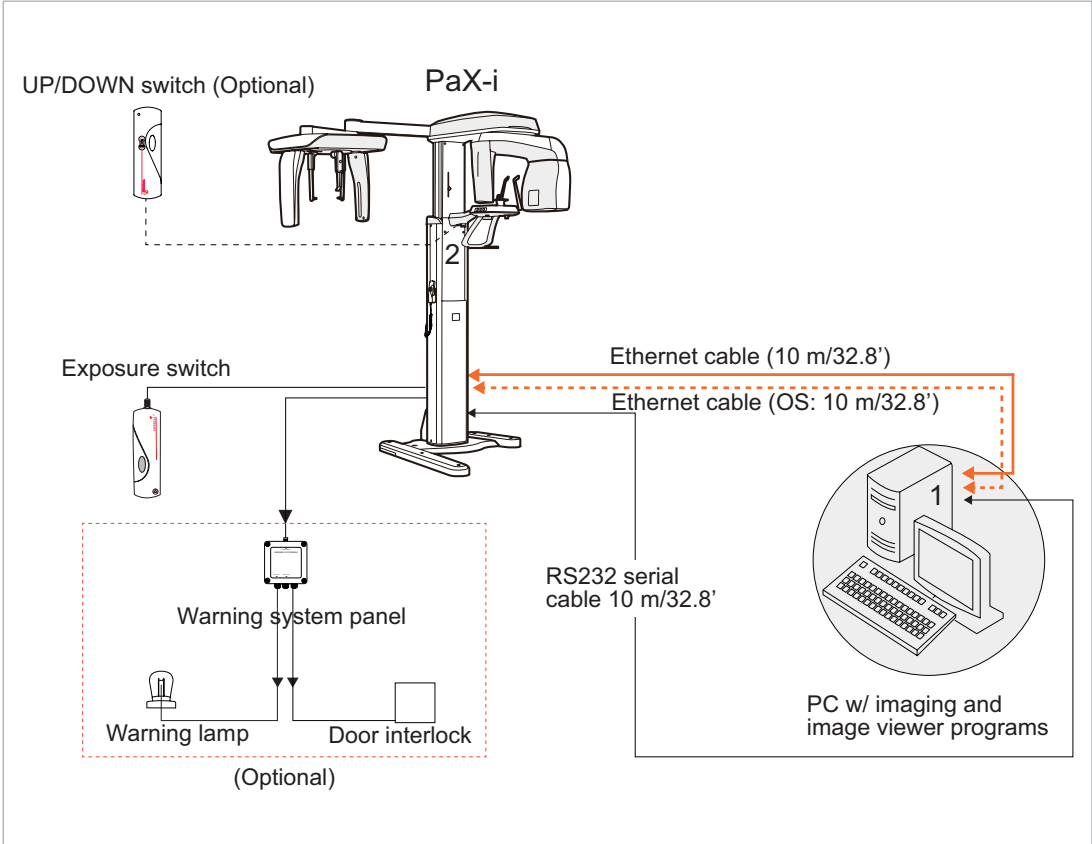


1. Signal input/output at PC

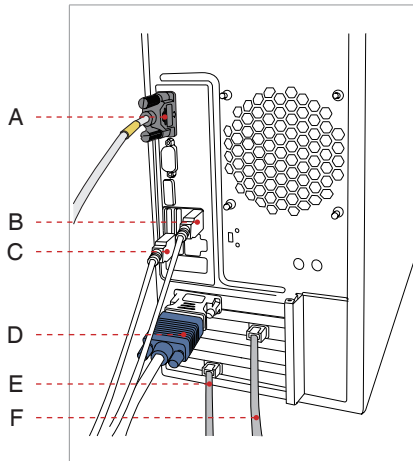


- A. Keyboard input
- B. Mouse input
- C. RS-232 port
- D. Video out
- E. Frame grabber cable (LVDS)

Case B: LAN Cable

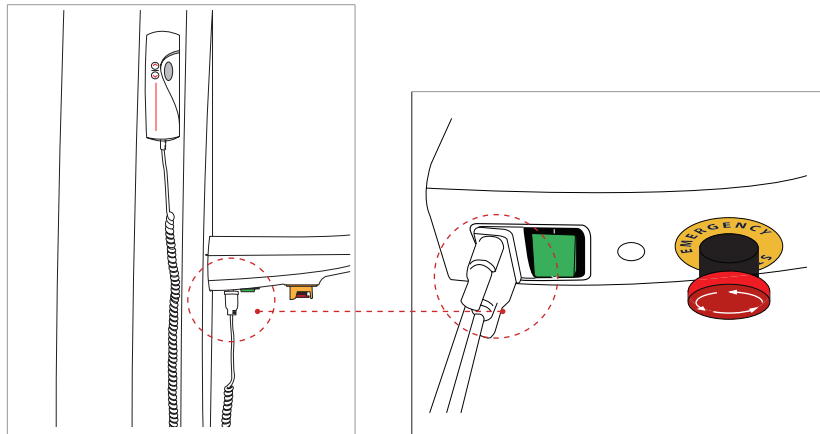


1. Signal input/output at PC



- A. RS-232 in/out
- B. Keyboard input
- C. Mouse input
- D. Video out
- E. Ethernet cable: CAT5: OneShot CEPH
- F. Ethernet cable: CAT5: PANO

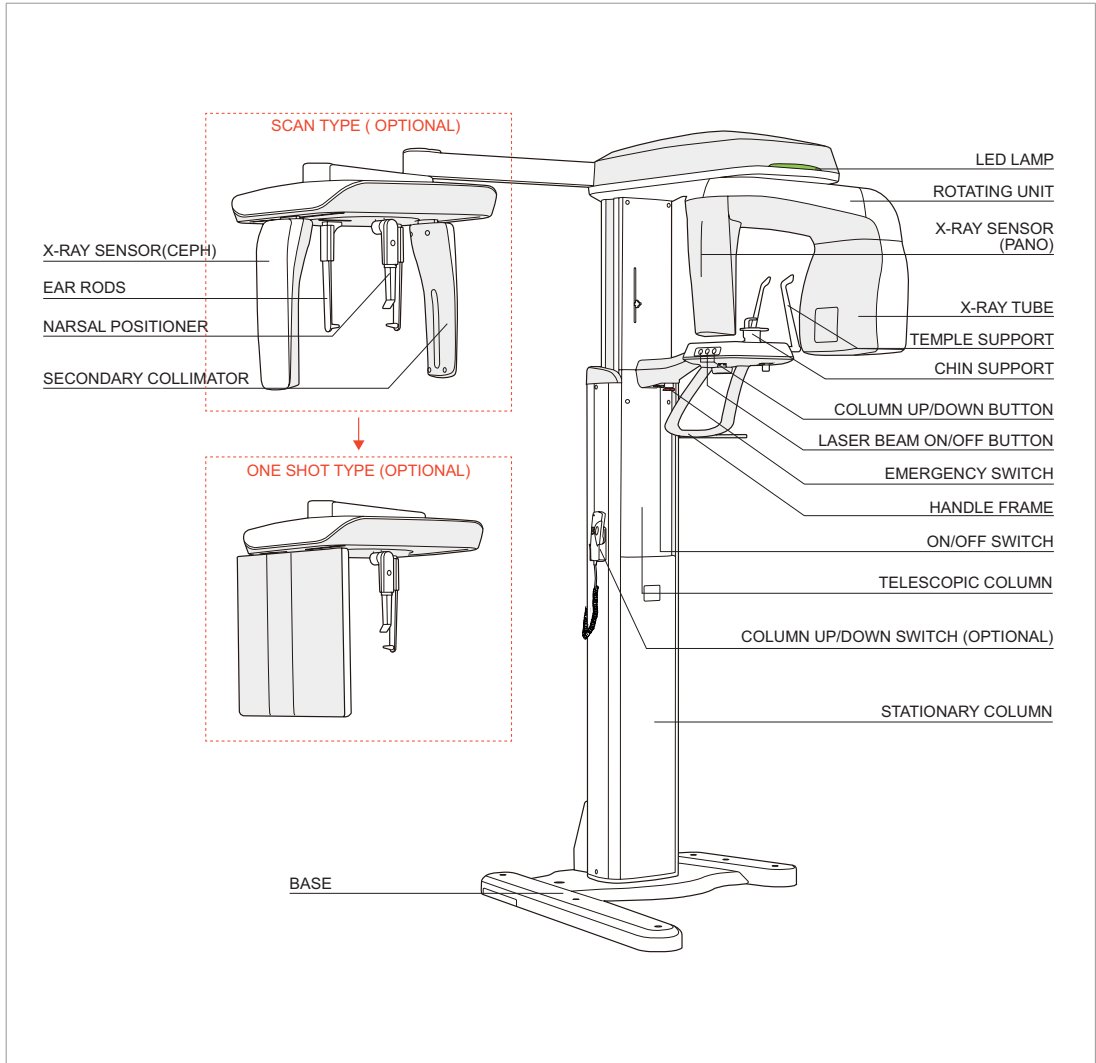
2. Signal input/output at the column up/down switch (optional)



Equipment connected to the signal input, signal output or other connectors must comply with the relevant IEC standards (e.g., IEC60950 for IT equipment and IEC60601-1 series for medical electrical equipment).

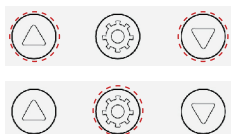
In addition, all such combination systems must comply with IEC60601-1 and/or IEC60601-1-1 harmonized national standards or relevant combination standards. If in doubt, contact a qualified technician or your local VATECH representative.

3.3 General View of the PaX-i



Item	Details
X-RAY SENSOR (CEPH)	CEPH imaging sensor (optional) <ul style="list-style-type: none"> - Scan Type - One shot Type
EAR ROD	Secures the patient's head during CEPH imaging.

Item	Details
NASAL POSITIONER	<ul style="list-style-type: none"> - Positions the patient during CEPH imaging. - The ruler for use to compensate the acquired image that is different from actual size.
SECONDARY COLLIMATOR	Limits the X-Ray irradiation field for CEPH scanning.
BASE	Used to balance and stabilize the equipment.
LED LAMP	Indicates current exposure activity. <ul style="list-style-type: none"> - Green: Ready - Orange: X-Ray On
ROTATING UNIT	Rotates around the patient's head during exposure (depending on the imaging mode).
X-RAY SENSOR (PANO)	Sensor: used for PANO imaging.
X-RAY TUBE	The source of X-Ray emission.
TEMPLE SUPPORT	Supports the patient's temples during PANO scan.
CHIN SUPPORT	Supports the patient's chin during imaging.
COLUMN UP / DOWN BUTTON	Moves the Column up/down
LASER BEAM ON / OFF BUTTON	Turn the laser beam on / off
EMERGENCY SWITCH	Cuts off all power to the equipment in case of emergency. Its primary function is to protect the patient from severe injury and the equipment from damage.
HANDLE FRAME	Held firmly by the patient during imaging to stabilize his / her position.
ON / OFF SWITCH	Turns the equipment on or off.
TELESCOPIC COLUMN	Moves the column up or down for patient positioning.
COLUMN UP / DOWN SWITCH	Moves the Column up/down (optional)
STATIONARY COLUMN	The portion of the column fixed to the base.

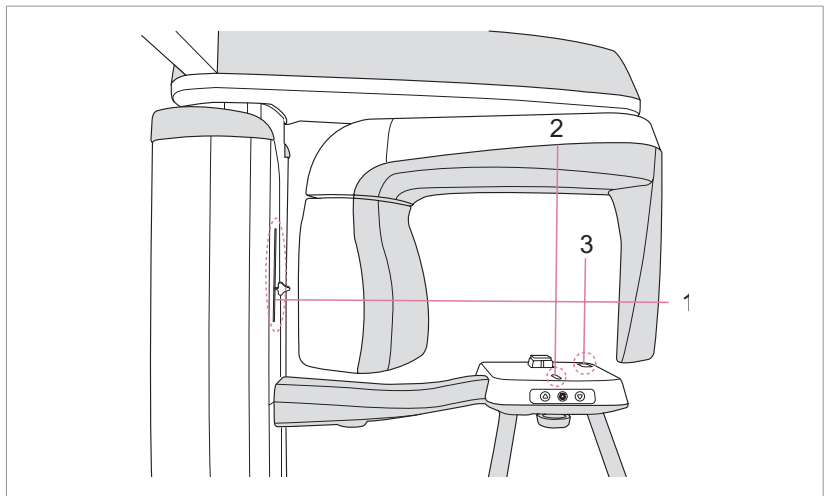




NOTE

The structural overview of the PaX-i may differ depending on the model. For more information, refer to section 3.1.3: The PaX-i Options.

3.3.1 Laser Beams

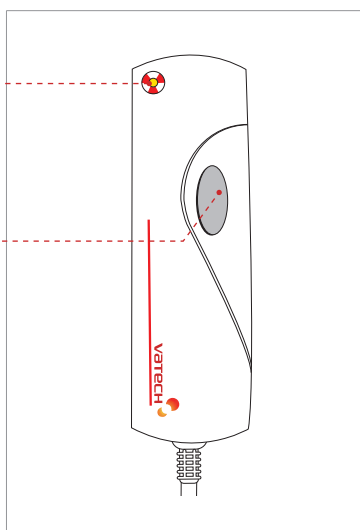


1-Frankfurt laser beam / 2-Mid-sagittal plane laser beam / 3-Canine laser beam

3.3.2 The Exposure Switch

Exposure Indicator light
 - Green: Ready
 - Orange: X-Ray On

Exposure Button



The exposure switch allows the operator to control image acquisition from outside of the X-Ray room. Press and hold the exposure switch down until acquisition is complete.

Premature release of the exposure switch will abort image acquisition. Pressing the exposure switch activates the orange indicator light to indicate that the X-Ray is being emitted.

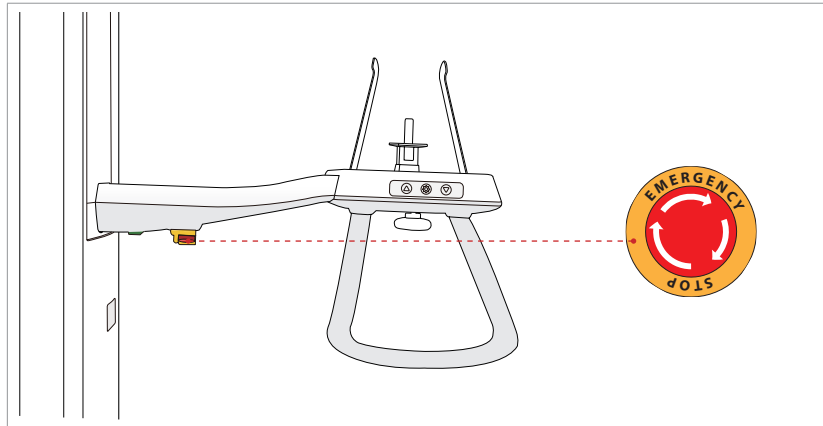
3.3.3 Emergency Stop Button

During operation, the following emergency situations may occur:

- X-Ray emission continues after the exposure switch has been released
- Injury to the patient or damage to the equipment
- Other emergency situations

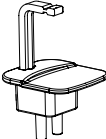
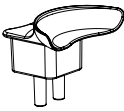

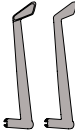
If a problem occurs during image acquisition, press the red emergency stop button to immediately stop the moving parts and cut off all power to the equipment's electrical components.

To reset the emergency stop button, turn it clockwise until it pops up.



3.3.4 Components and Positioning Accessories

The following accessories can be disinfected after they have been separated from the equipment. Disinfect all accessories which come into direct contact with the patient, such as the bite block, chin support or temple supports, using an alcohol-based solution and allow them to dry before use.

Accessories		Order No.
Chin support w/ bite block: Normal		M0400419 / M0400145
Chin support: Edentulous		M0400421
Chin support: TMJ		M0400422
Chin support: Sinus		M0400420
Temple supports		M0400835 : L M0400836 : R
Carpus plate		M0100074
Hygiene cover for bite block (single use)		



3.4 Examination Programs and Exposure Time

The PaX-i has been designed to carry out the following radiological examinations:

- PANO
- CEPH (optional)

3.4.1 PANO Mode

PANO TYPE: NORMAL

One of three versions of the panoramic imaging program will be included with your system, depending on the purchase option chosen.

Version	Mode	Option	
Basic	PANO examination / Special examination		
Intelligent	PANO examination / Special examination	AF (Auto-focus)	optional
UHD	PANO examination / Special examination	AF + UHD	optional

PANO TYPE: Magic PAN

Version	Mode	Option	
Magic PAN	PANO examination: Standard	Magic PAN	optional



NOTE


Magic PAN: an high quality image reconstructed from the optimal auto-focused images throughout the panoramic region to correct the improper patient positioning and rotating unit's trajectory (paid option).

Exposure Time (Max. 20.2 s)

Examination	Arch Selection	Examination Mode	Scan Time (s)		
			UHD	HD	Normal
PANO Examination	Narrow	Standard	20.2	13.5	10.1
		Right	10.1	6.7	5.1
		Front	16.7	11.1	8.4
		Left	10.1	6.7	5.1
	Normal	Standard	20.2	13.5	10.1
		Right	10.1	6.7	5.1
		Front	16.7	11.1	8.4
		Left	10.1	6.7	5.1
	Wide	Standard	20.2	13.5	10.1
		Right	10.1	6.7	5.1
		Front	16.7	11.1	8.4
		Left	10.1	6.7	5.1
	Child	Standard	17.2	11.5	8.6
		Right	8.6	5.7	4.3
		Front	13.7	9.2	6.9
		Left	8.6	5.7	4.3
	Orthogonal	Standard	20.2	13.5	10.1
		Bitewing	14.4	9.6	7.2
		Bitewing Incisor	3.7	2.5	1.9
		Bitewing Right	7.2	4.8	3.6
Bitewing Left		7.2	4.8	3.6	
Special Examination		TMJ LAT Open		6.1	4.6
		TMJ LAT Close			
		TMJ PA Open		7.0	5.3
		TMJ PA Close			
		Sinus LAT		6.0	4.5
		Sinus PA		10.3	7.7



NOTE

 Indicates that the examination supports Magic PAN / AF mode.



NOTE

- Maximum exposure time deviation: $\pm 10\%$ (IEC 60601-2-7)
- Standard mode exposure time is the same for both AF and non-AF modes.

3.4.2 CEPH Mode

Scan Type Sensor (optional)

Examination Modes	Scan Time (s)
Lateral / PA / SMV / Waters View / Carpus	12.9
Full Lateral (optional)	16.9

One shot Type Sensor (optional)




Examination Modes	Scan Time (s)
Lateral	0.9
PA / SMV / Waters View / Carpus	1.2















NOTE

Exposure time can be adjusted by resolution of 0.1 s in the range of 0.7 s to 1.2 s (One shot type only).

3.5 Marks and Symbols

Symbols	Description	Location
	Alternate current	
	Attention: consult accompanying documents	Label
	Dangerous voltage	Power board

Symbols	Description	Location
	Protective earth (Ground)	Power board
	Off (power: disconnect from the main switch)	Main switch
	On (power: connect to the main switch)	Main switch
	TYPE B Equipment	Label
	Radiation hazard	Label
	EC representative	Label
	The CE symbol indicates that this product complies with the European Directive for Medical Devices 93/42/EEC as amended by 2007/47/EC as a class IIb device.	Label
	UL mark : UL 60601-1 / CAN/CSA C22.2 No.601.1	Label
	Address where the equipment was manufactured	Label
	This symbol indicates that electrical and electronic equipment must not be disposed of as unsorted municipal waste and must be collected separately.	Label
	This symbol warns ESD hazard.	MCU board/ Board package
	This symbol indicates that this equipment is classified as a CLASS 1 LASER PRODUCT in accordance with IEC 60825-1 ED.1 regulations.	Label

4

Software Overview

4.1	PC System Requirements (Recommended)	38
4.2	EasyDent	39
4.3	Imaging Software Overview.....	40
4.3.1	PANO Mode.....	44
4.3.2	CEPH Mode.....	48

4. Software Overview

2 programs come with this equipment to acquire, process, and view the image:

- EasyDent: 2D viewer, analysis, and patient management
- Imaging software: PANO / CEPH

4.1 PC System Requirements (Recommended)



- The PC system plays a large role in processing and viewing quality images. Image quality may be diminished if the PC specifications are not met. Please adhere to the requirements specified in the following table.
- If necessary, upgrade your PC's system configuration to meet the following specifications.
- **DO NOT** place the PC or peripheral equipment connected to the PC in the immediate vicinity of the patient.

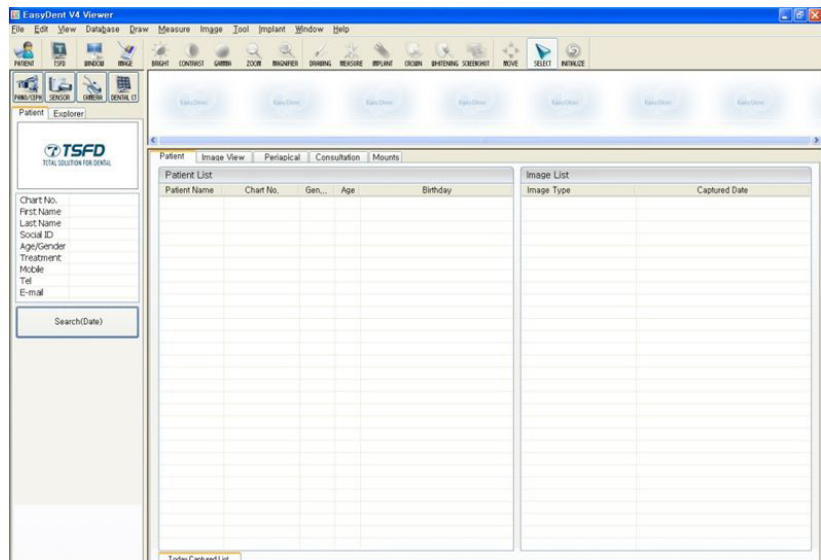
Item	HP	LENOVO
CPU	Intel® Core® i3-2130 3.4GHz	Intel® Core® i3-2120 3.3GHz
RAM	4GB x1 DDR3- 1333 ECC RAM	4GB (2GB*2) DDR3 1333MHz UDIMM – Non ECC
Hard disk drive	500GB SATA 7200 1st HDD	500GB SATA 7200 1st HDD
Graphic board	Intel H61 Express Chiset	ATI HD7350 512M (DVI+DP) FH
Ethernet interface	Realtek RTL8171E Gigabit Ethernet	Intel®82579 Gigabit Ethernet
Serial Port (RS232)	1 (On board)	1 (On board)
Power supply	≥ 300 Watts (85 % Efficiency)	≥ 320 Watts (85 % Efficiency)
Slots	1 PCI Express x 1 Slot 1 PCI Express x 16 Slot 2 PCI Slots	1 PCI Express Gen1 x 1 Slot 1 PCI Express Gen2 x 16 Slot 2 PCI Slots

Item	HP	LENOVO
CD/DVD drive	SuperMulti DVD Drive	SATA DVD-ROM/DVD Recordable
Monitor	19" 1280 x 1024 screen resolution	19" 1280 x 1024 screen resolution
Operating system	Windows 7 Home Premium 64-Bit OS	Windows 7 Professional 64-Bit OS
Recommended system	Pro 3330	M82

4.2 EasyDent

As the basic imaging platform for all VATECH dental X-Ray equipment, EasyDent is designed to be easy to use. The Imaging Program is interfaced with EasyDent. Images acquired by the Imaging Program are imported directly into EasyDent, where analysis and diagnosis can be performed quickly and easily.

The screenshot below is of EasyDent's initial GUI window.



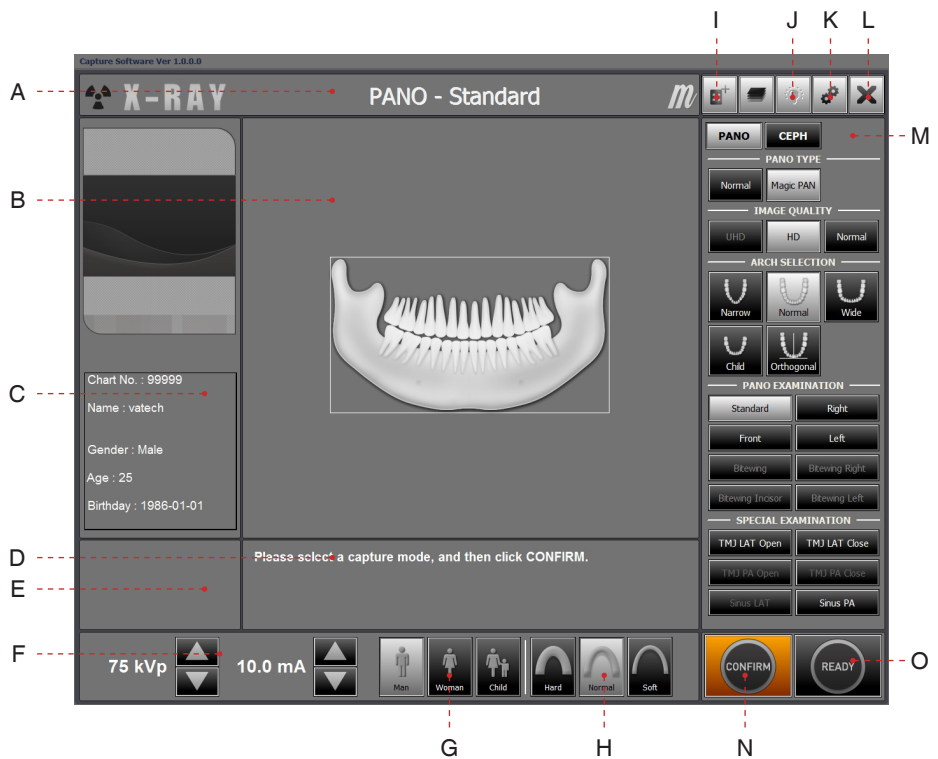
NOTE

For more details about patient search, refer to sections '5.2.1 Creating a new patient record' and '5.2.2 Retrieving patient records'.

4.3 Imaging Software Overview

Imaging parameters can be set using the imaging program.

The following screenshot shows the main interface in PANO mode. For details concerning PANO and CEPH imaging, refer to sections 4.3.1 - 4.3.2.



A. Imaging Mode Display

This displays the current imaging mode.



NOTE



- Indicates that the Magic PAN is supported in the PANO imaging modality.
- Is displayed only for the 'Standard' mode, with the Magic PAN enabled.



NOTE



- Indicates that the AF mode is supported in the PANO imaging modality.
- Is displayed only for the 'Standard' mode, with the AF enabled.
- The AF is incorporated only in the UHD and Intelligent version.

B. Scanning Status and Image Preview Window

This shows image acquisition progression in real-time.

C. Patient Information

This displays information about the selected patient.

D. Imaging Guide Window

This displays various text instructions for the operator to follow.

E. Scan Time and DAP Display Window

Upon clicking **Confirm**, the scan time and estimated DAP value is displayed in this window.

F. Tube Voltage and Current Adjustment

This tool adjusts the kVp and mA values to accommodate the circumference of the patient's head or control the power of the X-Ray in order to improve image quality. If necessary, adjust the kVp and mA values manually using the arrows.



NOTE

Adjustable resolution:

- Tube voltage: ± 1 kVp
- Tube current: ± 0.1 mA



NOTE

For the tube voltage and its correspondence with the current patient, refer to **Appendix 1: Recommended X-Ray Exposure Table**.

G. Patient Gender

This displays the current patient's gender as entered in EasyDent's patient information. If necessary, gender can be manually selected.

Age Group / Gender		VATECH's Standard
Child		≤ 12
Adult	Man	≥ 13
	Woman	

H. Bone Density

This tool selects the patient's bone density.

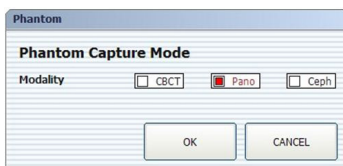


NOTE

Depending on the circumference of the patient's head, bone density is classified as Hard, Normal, or Soft: **Soft \leq Normal \leq Hard.**



I. Phantom capture



This function is used when the Phantom Jig is being used to acquire images.



NOTE

Image acquisition using the Phantom Jig:

1. Click Phantom Capture Icon.
2. Select the Modality, followed by OK.
3. Check the parameters displayed in the main GUI window. If correct, click the 'Confirm' button.
4. Align the Phantom Jig, and click the 'Ready' button.
5. Press and hold down the exposure switch.



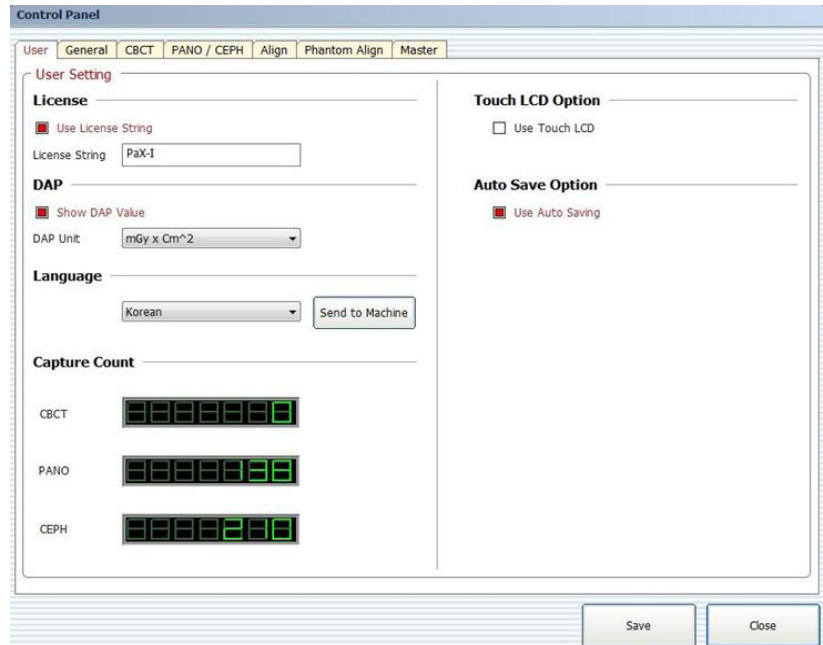
J. Laser Beam On / Off Button

Use this icon to turn the laser beam on or off for patient positioning. This button is enabled when the Confirm button is clicked after the imaging environmental parameters are configured.



K. Settings

This Control Panel displays and sets various equipment-related parameters, including language, automatic save, DAP display unit, etc.



L. Exit

This button exits the capturing program.

M. Imaging Mode

This toggles the imaging mode – PANO or CEPH.

Refer to section 4.3.1 ~ 4.3.2 for the details regarding **PANO** and **CEPH** imaging modes.

N. Confirm

After confirming all settings required for scanning, press **Confirm** to apply the settings.



NOTE

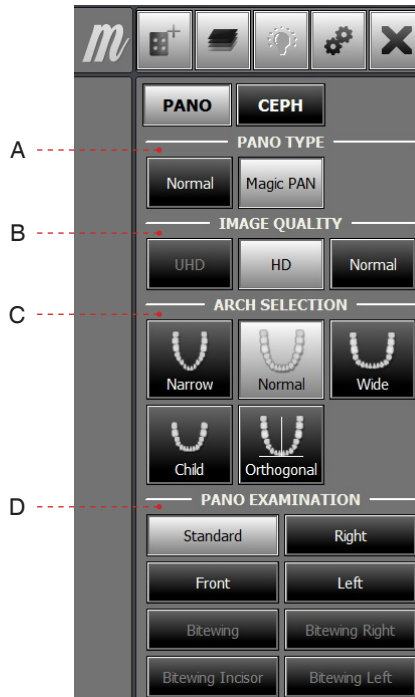
Scan Time : 0.0
DAP : 0.00 $\mu\text{Gy} \times \text{m}^2$

When you click 'Confirm', the scan time and estimated DAP (Dose Area Product) value will be shown on the main display for the exposure you are going to take.

O. Ready


This button is used when all aspects of preparation have done for image acquisition (including parameter settings and patient positioning).


4.3.1 PANO Mode



A. PANO TYPE

One of two modes (Magic PAN or Normal) can be selected for PANO imaging.

Magic PAN (paid option): a feature to acquire the sharper image. When enabled, the symbol  appears on the upper right for the imaging modes which incorporate this feature.

Normal: When enabled, the symbol  appears on the upper right for the imaging modes which incorporate the AF.

B. Image Quality

One of three modes (UHD, HD or Normal) can be selected for PANO imaging.

- **UHD**: Image with Ultra-high resolution
- **HD**: Image with higher resolution than **Normal** Mode
- **Normal**: Normal image



NOTE

Setting the default mode in the PANO:

The most frequently used mode among the UHD, HD and Normal can be configured as the default, which requires the authority.

To change the default mode,

1. Ask the engineer in your region for the mode change.
2. Re-run the imaging program after setting up the related parameters.

The default mode, if any, specified in a specific country can't be changed for the user's intent.


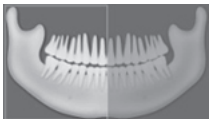

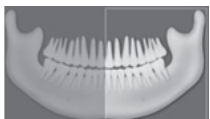
C. Arch Selection

Select the patient's arch type: Narrow, Normal, Wide, Child, and Orthogonal.

Orthogonal: Enables the image to be acquired with overlapping regions of the teeth minimized.


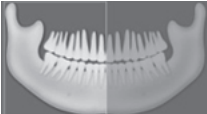

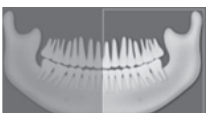
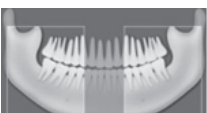


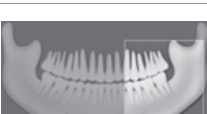
D. PANO Examination

Acquire the image for a specific ROI in panoramic mode.

Mode		Region of Interest: PANO Image	Remark
	Standard	Imaging standard images	Supported by any arch type selection
	Right	Imaging lateral right	
	Front	Imaging frontal area	
	Left	Imaging lateral left	







The following table summarizes the sub-modes for orthogonal imaging.

***Orthogonal mode:** Acquires an image that minimizes overlapping regions of teeth.

Sub-mode		Region of Interest: Orthogonal		Remark
	Standard	Imaging PANO Standard image		Supported by any arch type selection
	Right	Imaging PANO lateral right		
	Front	Imaging PANO frontal area		
	Left	Imaging PANO lateral left		
	Bitewing	Bitewing imaging	Left/Right	
	Bitewing Incisor		Incisor region	
	Bitewing Right		Right region	
	Bitewing Left		Left region	

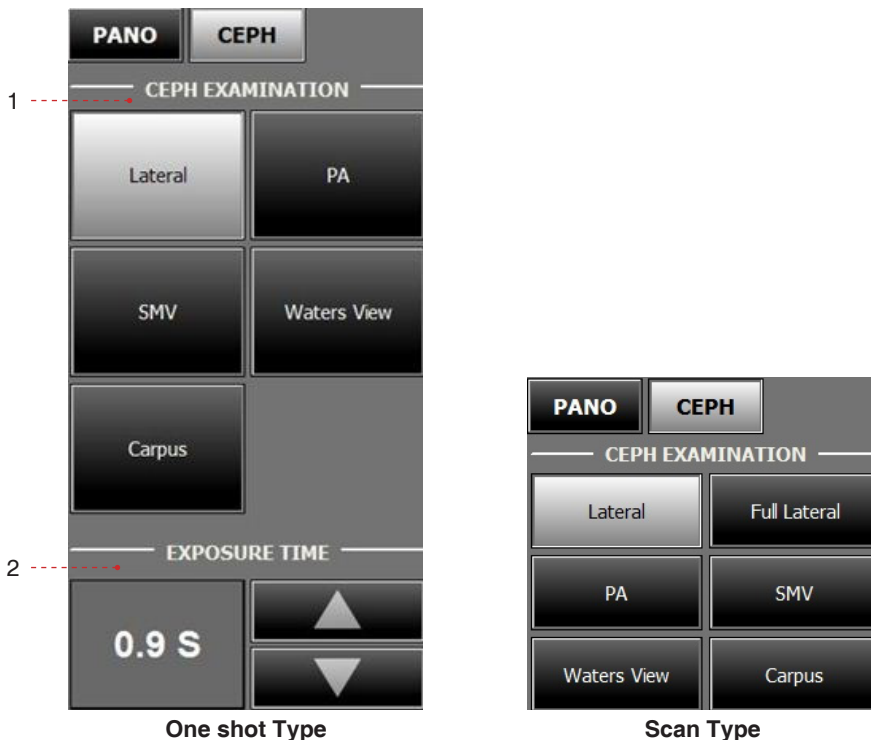
Special Examination



Mode		Details
	TMJ LAT Open	Takes a side view image of the TMJ with the mouth open.
	TMJ LAT Close	Takes a side view image of the TMJ with the mouth closed.
	TMJ PA Open	Takes a posterior/anterior image of the TMJ with the mouth open.
	TMJ PA Close	Takes a posterior/anterior image of the TMJ with the mouth closed.
	Sinus LAT	Takes a side view image of the sinus.
	Sinus PA	Takes a posterior-anterior image of the sinus.



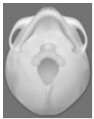
4.3.2 CEPH Mode



Depending on the sensor type employed, one of the two kinds of imaging S/W comes with the equipment for the CEPH mode examination.



1. CEPH Examination

Select the imaging mode – Lateral, PA, SMV, Waters View or Carpus.

Mode		Details
	Lateral / Full Lateral	Takes a lateral view image either partially or fully
	PA	Takes a posterior-anterior image
	SMV	Takes a SMV(Sub-Mento Vertical) image

Mode		Details
	Waters View	Takes a Waters View image
	CARPUS	Takes a CARPUS image

2. Exposure Time

One shot Type Sensor (optional)

Examination Modes	Scan Time (s) - Default
Lateral	0.9
PA / SMV / Waters View / Carpus	1.2



Exposure time can be adjusted by resolution of 0.1 s in the range of 0.7 s to 1.2 s (One shot type only).

Scan Type Sensor (optional)

Examination Modes	Scan Time (s) - Default
Lateral / PA / SMV / Waters View / Carpus	12.9
Full Lateral (optional)	16.9

5

Getting Started

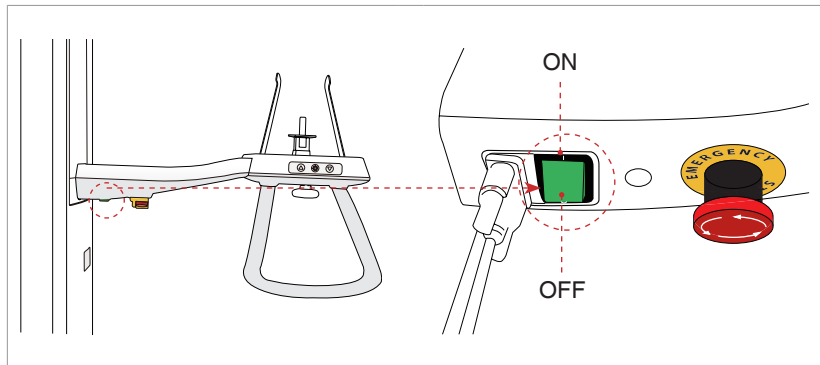
5.1	Turning on the PaX-i.....	52
5.2	Running the Image Viewer – EasyDent.....	53
	5.2.1 Creating a New Patient Record	53
	5.2.2 Retrieving Patient Records	54
5.3	Initiating the Imaging Program.....	55

5. Getting Started

5.1 Turning on the PaX-i

A. Before turning the equipment on, check whether the system is correctly connected and installed (check the connection status between the equipment and the PC).

B. Turn the **ON / OFF** switch underneath the handle frame to the ON position.



C. Check whether the LED lamp on top of the equipment is illuminated. If it is illuminated, the equipment is ready for image acquisition.



IMPORTANT

If it has not been used for a long time, allow at least an hour before the first exposure since turning on the equipment



IMPORTANT

- Condensation could form inside the equipment if it is a different temperature than the surrounding room. Only turn on the equipment once it has reached room temperature.
- Wait at least 20 seconds after the equipment has been turned off to turn it back on.



WARNING

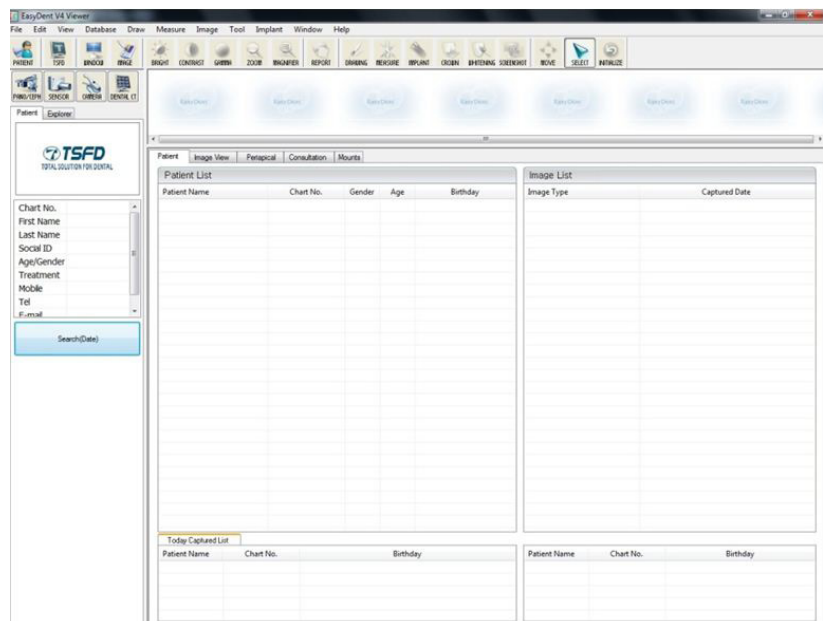
Do not position the patient in the unit while it is initiating. The patient could be injured if the equipment malfunctions.

5.2 Running the Image Viewer – EasyDent

EasyDent is a basic imaging platform for all VATECH's dental X-Ray equipments. The **Imaging Program** is interfaced with **EasyDent**.

On your desktop, double-click **EasyDent** icon or click **Start**→**All Programs**→**EasyDent**.

The **EasyDent** main window will be displayed.



Go to the **section 5.2.1 ~5.2.2** to create or open an existing patient record.




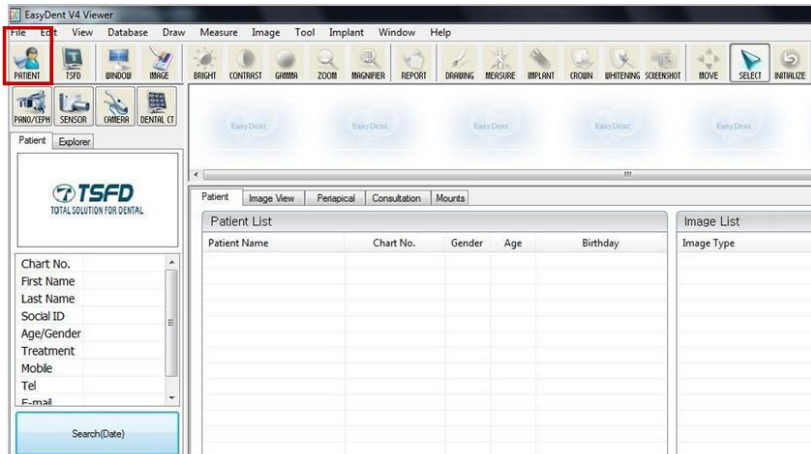
NOTE

For detailed guide to using this software, please refer to the **EasyDent user manual**.

5.2.1 Creating a New Patient Record

To create a new patient record, follow the procedure outline below:

A. Click the **Patient icon** () on the upper left corner of the EasyDent's main GUI window.



B. The following dialog box will open.

C. Enter the required patient information. **Chart Number, First Name, and Last Name** are required fields which must be filled in. All other fields are optional, but it is recommended that they be filled in.

D. Click **Add** to save the patient record.

5.2.2 Retrieving Patient Records

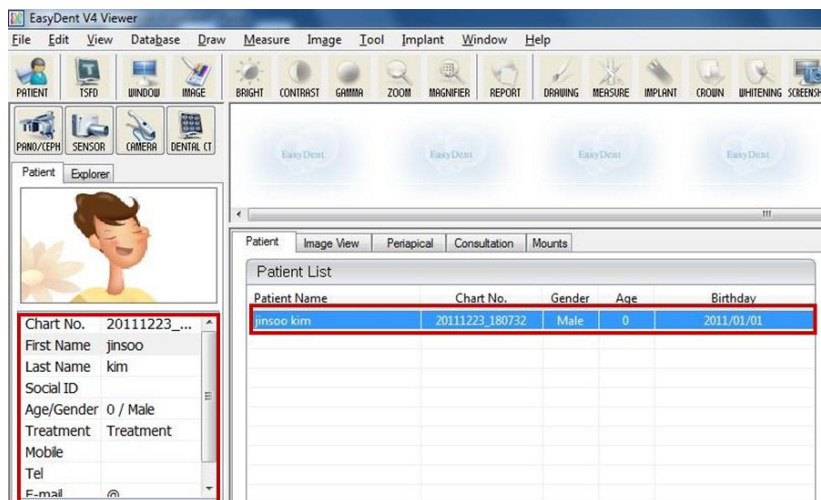
You can search through the patient database using a patient's chart number, their first name, or their last name.

A. On the **Patient information pane**, double-click the **Chart No.**, **First name**, or **Last name** of the patient and the virtual keyboard will pop up.



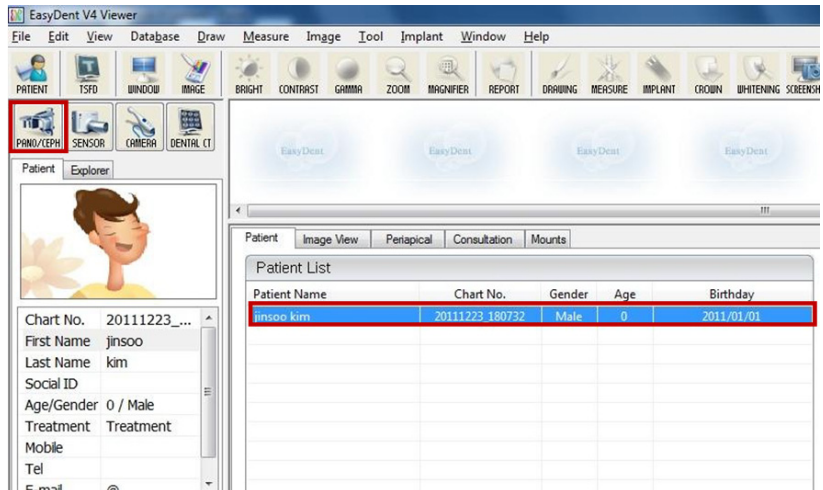
B. Enter the **Chart No.**, **First name**, or **Last name** of the patient by clicking the mouse on the virtual key board and click the **Enter**. (The physical keyboard can be used to do the same job)

C. Patient information can be displayed on the **Patient information pane** and **Patient List**.



5.3 Initiating the Imaging Program

A. First, click the patient information in the patient list, and click the **PANO/CEPH** icon in the upper left corner of the EasyDent's main window to open the imaging program.



B. The following imaging program window opens. The sole purpose of this window is to control equipment settings and acquire images.



Please proceed to the next chapter.



NOTE

Refer to chapters 6-7 for information regarding image acquisition.

6

Acquiring PANO Images

6.1	PANO Imaging Program.....	58
6.2	Setting Exposure Parameters.....	63
6.3	Positioning the Patient.....	66
6.3.1	Pano Standard Mode (QR Code).....	67
6.3.2	TMJ Open Mode	71
6.3.3	TMJ Close Mode.....	74
6.3.4	Sinus Mode	75
6.4	Initiating X-Ray Exposure	78

6 Acquiring PANO Images

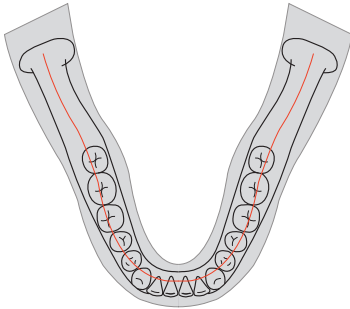
This chapter requires the preparatory steps in **Chapter 5** to have already been completed. If you have not completed these steps, please return to **Chapter 5** and complete the process outlined there before proceeding with this chapter.

6.1 PANO Imaging Program

EXAMINATION	ARCH SELECTION	EXAMINATION PROGRAM	
PANO EXAMINATION	Narrow	Standard ①	
		Right	
		Front	
		Left	
	Normal	Standard ②	
		Right	
		Front	
		Left	
	Wide	Standard ③	
		Right	
		Front	
		Left	
	Child	Standard ④	
		Right	
		Front	
		Left	
Orthogonal	Standard ⑤		
	Right		
	Front		
	Left		
	Bitewing ⑥		
	Bitewing Incisor		
	Bitewing Right		
	Bitewing Left		
	SPECIAL EXAMINATION	-	TMJ LAT Open ⑦
			TMJ LAT Close
TMJ PA Open ⑧			
TMJ PA Close			
Sinus LAT ⑨			
Sinus PA ⑩			

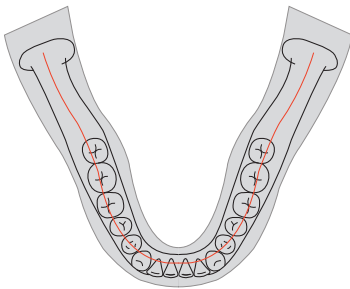
① Narrow_Standard

A panoramic imaging mode for the patients with the V-shaped arch trajectory (a few women)



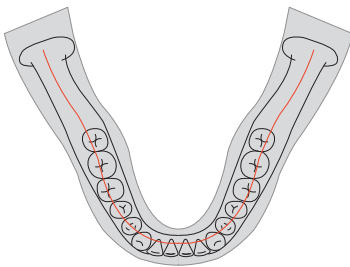
② Normal_Standard

A panoramic imaging mode for the adult patients with the normal arch trajectories



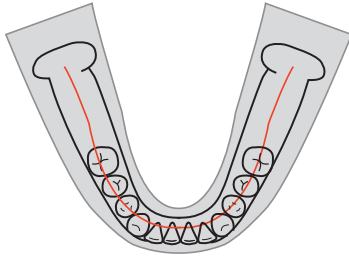
③ Wide_Standard

A panoramic imaging mode for the patients with the square-shaped arch trajectory (a few adult men)



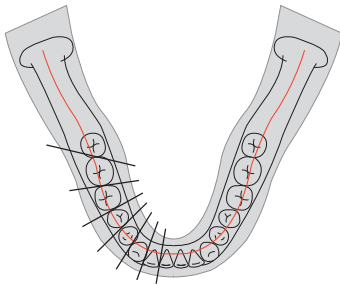
④ Child_Standard

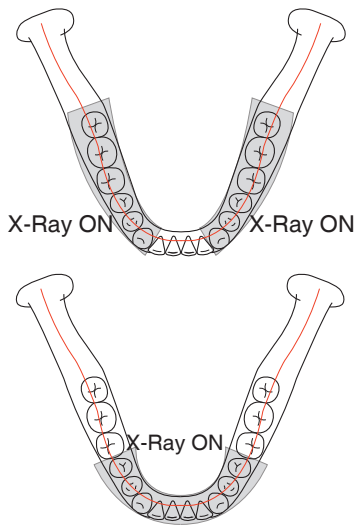
A panoramic imaging mode for the child arch trajectory, in which case the X-Ray exposure is 40% less than that in **Normal** mode



⑤ Orthogonal_Standard

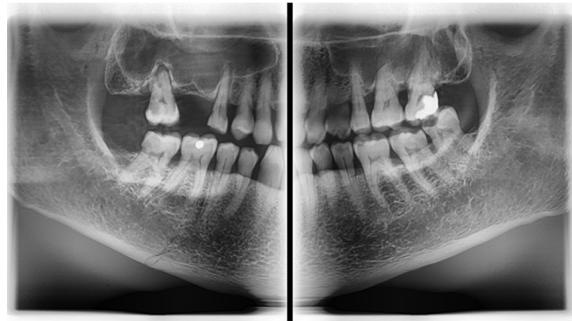
A panoramic imaging mode to minimize the overlapped region of the teeth from the X-Ray exposure which is beamed perpendicularly between teeth





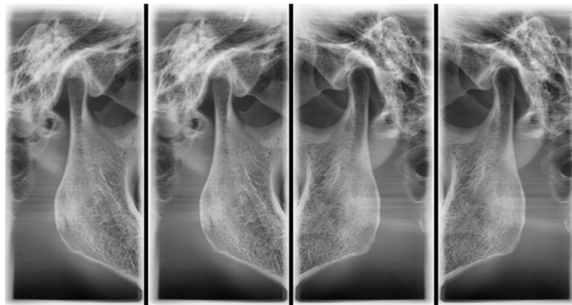
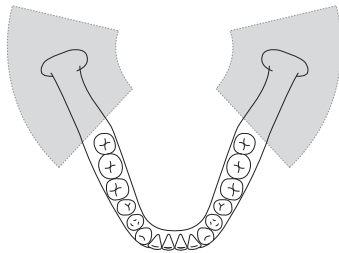
⑥ Orthogonal_Bitewing

A panoramic imaging mode to acquire an image only for the region of interest through the orthogonal trajectory: **Pros:** less X-Ray exposure than the Normal mode. **Cons:** TMJ and parts of an image of the maxillary sinus are not acquired.



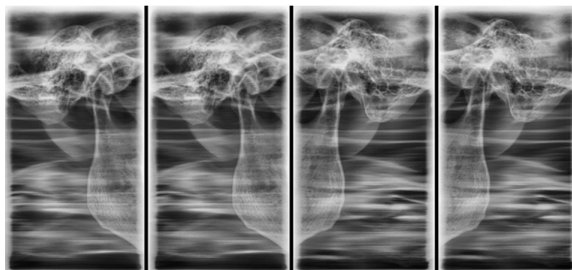
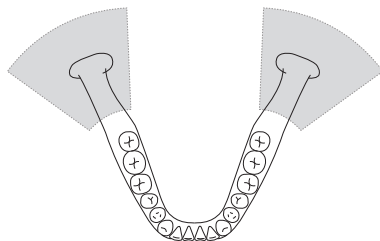
⑦ TMJ LAT Open / Close

An imaging mode to acquire a lateral image of the TMJ, in which the X-Ray beam is directed on the lateral TMJ region: TMJ (Open and Close).



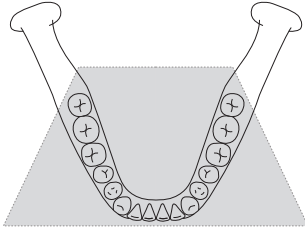
⑧ TMJ PA Open / Close

An imaging mode to acquire a TMJ image, in which the X-Ray beam is directed on the frontal TMJ, with the patient's mouth open fully and close (Open and Close).



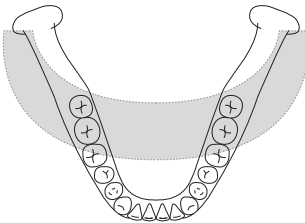
⑨ Sinus LAT

A special imaging mode to acquire a Sinus image, in which X-Ray beam is directed on the lateral region of the maxillary sinus



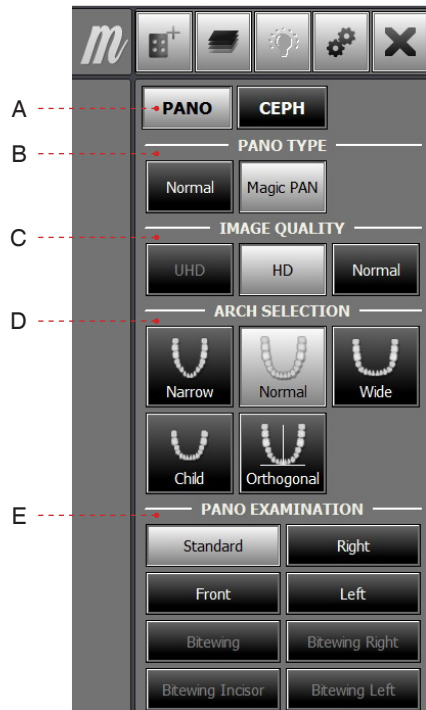
⑩ Sinus PA

A special imaging mode to acquire a Sinus image, in which X-Ray beam is directed on the frontal region of the maxillary sinus



6.2 Setting Exposure Parameters

Perform the following procedures to select the capture parameters for the specific patient and capture mode. For more details, refer to **4.3. Imaging Software Overview**.



A. Choose an imaging mode under **Imaging Mode**.

B. Select the mode under PANO Type: **Normal** or **Magic PAN**.

Mode	Details	
Normal	Normal image.	
Magic PAN	Image with ultra-high resolution	optional

C. Select the image quality for the image.

Mode	Details	
UHD	Image with Ultra-high resolution	optional
HD	Image with higher resolution than Normal Takes longer scan time than the Normal	
Normal	Normal image	



For more details about exposure time, refer to section 3.4: Examination Programs and Exposure Time.



D. Select the patient's arch type under Arch Selection. By default, Normal is selected.

Orthogonal: This mode enables overlapping regions of teeth to be minimized when acquiring images in the ROI. If orthogonal arch is selected, its sub-modes are activated.

E. Select the ROI for panoramic image acquisition under **PANO Examination**.



F. The patient's gender will be automatically selected according to the patient information registered in EasyDent. Nevertheless, ensure that this information is correct.

Age Group		VATECH's Standard
Child		≤ 12
Adult	Man	≥ 13
	Woman	



G. Select the patient's bone density type under **Bone Density Type**.



Bone density is determined based on the patient's head size (circumference). **Soft ≤ Normal ≤ Hard.**



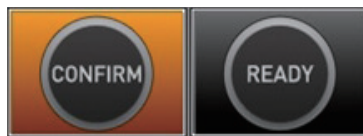
H. A default value for the tube voltage (kVp) and current (mA) will be displayed based

on the gender and bone density of the patient. If necessary, further adjustments can be made using the arrows to the right of each number.



Adjustable resolution:

- Tube voltage: ± 1 kVp
- Tube current: ± 0.1 mA



I. Click the **Confirm** button for these parameters to take effect.



Please wait for a moment, while the rotating unit moves to its initial scanning position.

When you click the **Confirm** button,

- The **Ready** button will begin blinking to show that it has been activated. This means that the equipment is ready for X-Ray exposure.
- The rotating unit will move to its initial scanning position.
- Three laser beams, Mid-sagittal plane, Frankfurt plane and Canine, will be activated to facilitate patient positioning. These beams will disappear after 20 minutes or if the **Ready** button is clicked.



The laser beam On / Off icons are located:

- In the upper right side of the window: 
- On the Handle Frame: 



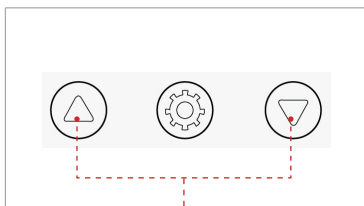
- The scan time and estimated DAP (Dose Area Product) values will be shown on the main display for the selected exposure.

J. Guide the patient to the equipment. Position the patient within the equipment. For further information about patient positioning, refer to section **6.3: Positioning the Patient**.

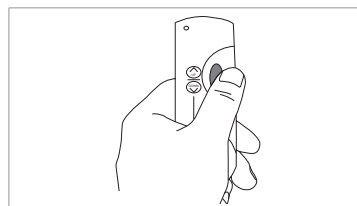
6.3 Positioning the Patient

Before Positioning the Patient

- Ask the patient to remove all jewelry and metallic objects, such as earrings, hair pins, spectacles, dentures, and orthodontic appliances. These items may cause shadow images which could obscure diagnosis.
- It is strongly recommended that the patient wear a lead apron for protection against any possible scatter radiation.
- Adjust the column height to the patient's height using the up/down button or switch (optional).



Column up/down buttons on the handle frame



Column up/down switch (optional)



NOTE

In general, imaging is performed with the patient in an upright position.

However, a stool may be used for imaging patients with special circumstances. If a stool is used, ensure that the beams and movement of unit are not obstructed by the stool



NOTE

Correct positioning is an important factor in capturing the best possible image. Proper positioning will reduce the appearance of the cervical spine in the image.



WARNING

Be careful not to project the laser beams directly into the patient's eyes as this could severely damage the patient's vision.

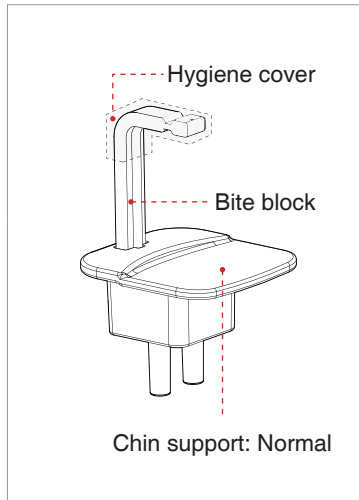
6.3.1 Pano Standard Mode

Positioning the patient



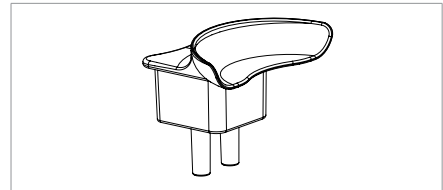
PANO Standard_ENG

*To link to the video manual: scan the QR code with smart phone or pad.



A. Insert the normal chin support and bite block into the chin support receptacle on the equipment.

B. Place a hygienic cover over the bite block.

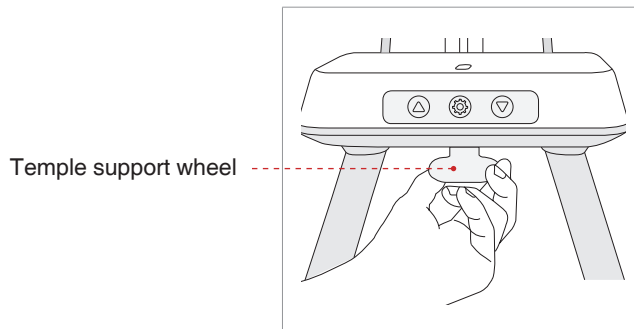


*For patients who lack teeth, use the edentulous chin support.



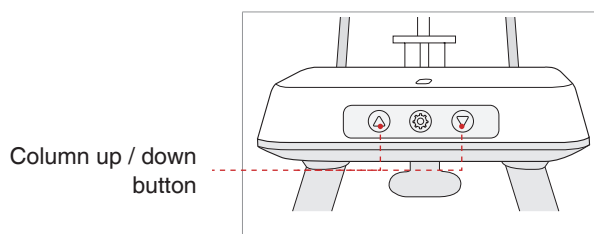
WARNING

The hygiene cover for the bite block is intended for single use only. Always replace the hygiene cover for each new patient.

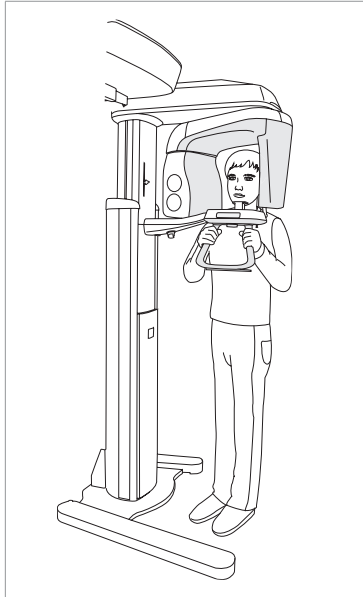


C. Loosen the temple supports by turning the temple support wheel.

D. Guide the patient —facing the chin support — to the equipment.



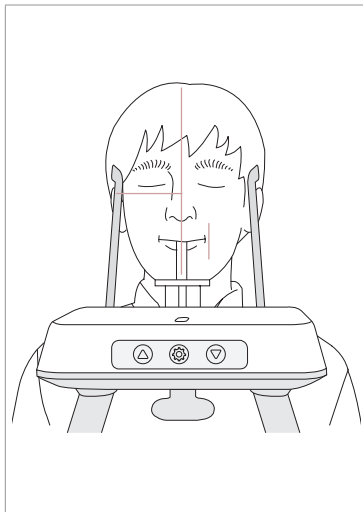
E. Adjust the height of the column using the column up/down button or switch (optional) until the patient's chin rests comfortably on the chin support.



F. Ask the patient to:

- Stand upright
- Firmly grip the handle
- Lean his/her chest lightly against the equipment
- Position his/her feet slightly forward

G. Ensure that the patient's shoulders remain level and that his/her neck is relaxed. The cervical spine should be straight and upright.



H. Have the patient bite the bite block along its grooves using his/her upper and lower incisors (for edentulous patients, use the edentulous chin support).

I. Have the patient

- Close his/her lips around the bite block
- Keep his/her tongue pressed against his/her palate
- Close his/her eyes

Ask the patient to remain still until scanning is completed.



To acquire the best image possible, ask the patient not to:



- Breathe or swallow saliva during image acquisition
- Move during image acquisition

Aligning the Laser Beams



NOTE

Clicking on the 'Confirm' button after setting the parameters for imaging will activate the three laser beams (Mid-sagittal plane, Frankfurt plane and Canine) to facilitate patient alignment. The beams will disappear after 20 minutes or if the 'Ready' button is clicked.

To turn the laser beams on or off, click the  icon on the handle frame or the  icon on the imaging GUI.



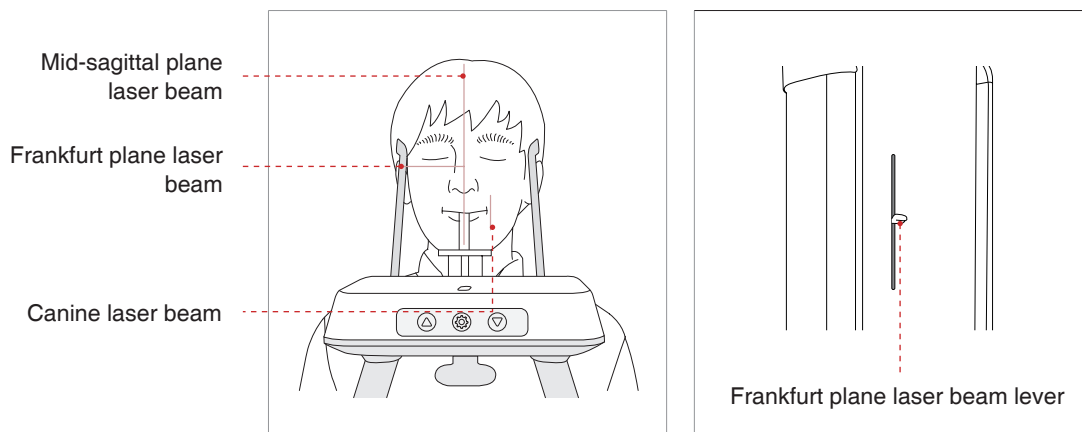
WARNING

Be careful not to project the laser beams directly into the patient's eyes as this could severely damage the patient's vision.

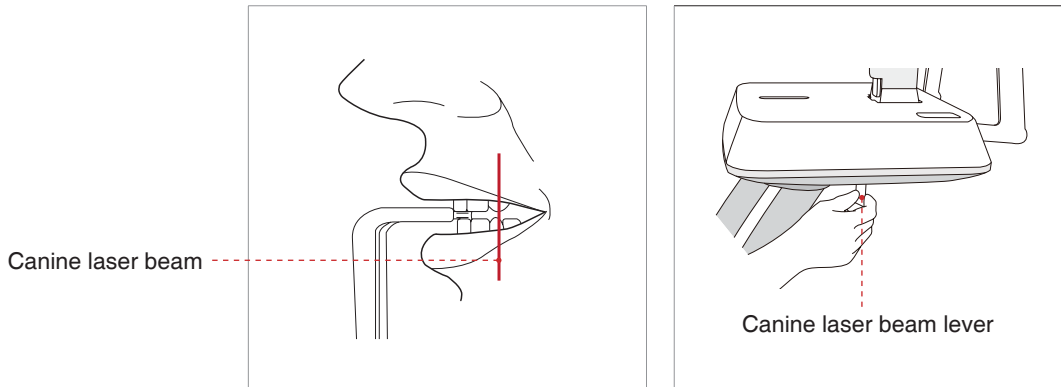
A. Mid-sagittal plane laser beam: Position the Mid-sagittal plane laser beam on the center of the patient's face to prevent magnifications of the left or right side in the final image.

B. Frankfurt plane laser beam: Position the patient's head so that the Frankfurt plane is aligned with the Frankfurt plane laser beam.

** The Frankfurt plane is the plane which joins the infra-orbital point to the superior border of the external auditory meatus.*

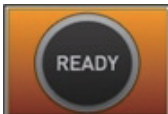


C. Canine laser beam: Have the patient smile to properly position the canine laser beam on the center of the patient's canine tooth.



Completing Patient Positioning

A. After confirming patient positioning and beam alignment, adjust the temple supports to fit snugly on both sides of the patient's head using the temple support wheel. The temple support wheel is located underneath the patient support rest.



B. Click the **Ready** button on the GUI or touch screen after the patient has been properly positioned. No X-Ray will be emitted at this point. The rotating unit will then move into position for imaging.

C. Proceed to section **6.4: Initiating X-Ray Exposure**.

6.3.2 TMJ Open Mode

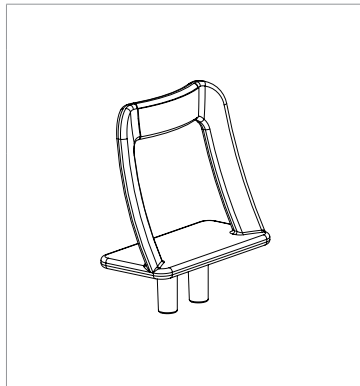
There are two TMJ sub modes: **TMJ Open** and **TMJ Close**. You may scan a TMJ Close Image subsequent to a TMJ Open image. To prepare and position the patient, follow the process outlined below.



NOTE

- **Correct positioning is an important factor for image capturing. Proper positioning will reduce the appearance of the cervical spine in the reconstructed image.**
- **For a child with a large head circumference, Man/Woman mode may be selected instead of Child.**

Positioning the patient

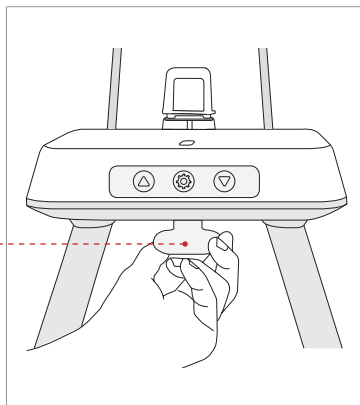


A. Insert the TMJ chin support.



CAUTION

Disinfect the chin support using an alcohol-based cleaning solution and wipe away all residues with dry cloth before proceeding any further.



Temple support wheel

B. Loosen the temple Supports by turning the temple support wheel.

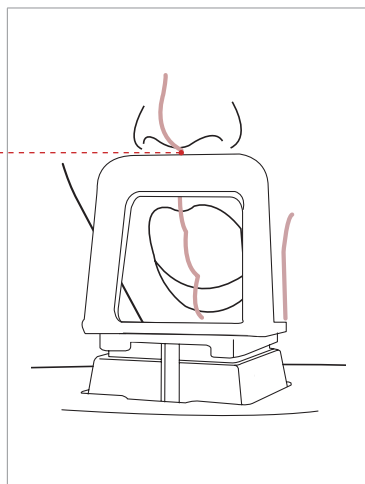
C. Guide the patient —facing the chin support — to the equipment.

D. Adjust the height of the equipment using the column up/down button or switch (optional) until the patient's chin is resting on the chin support. Ensure that the chin is in contact with the chin support.

E. Ask the patient to:

- Stand upright
- Firmly grip the handle
- Lean his/her chest lightly against the equipment
- Position his/her feet slightly forward.

Patient position with
chin support



F. For **TMJ Open** imaging, have the patient:

- Open his/her mouth as wide as possible
- Keep his/her tongue positioned towards the palate
- Breathe through his/her nose
- Close his/her eyes.

The top of the TMJ support and the patient's acanthion point must remain in contact at all times during exposure.

G. Ensure that the patient's shoulders remain level and that his/her neck is relaxed. The cervical spine should be straight and upright. Ask the patient to remain still until scanning is complete.



CAUTION

To acquire the best image possible, ask the patient not to:



- Breathe or swallow saliva during image acquisition
- Move during image acquisition

Aligning the Laser Beams



NOTE

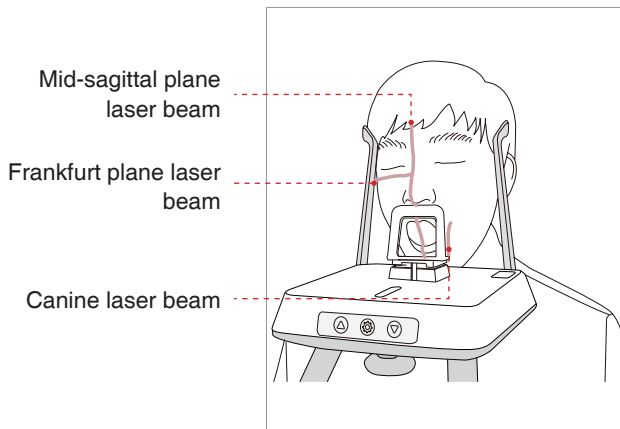
Clicking on the 'Confirm' button after setting the parameters for imaging will activate the three laser beams (Mid-sagittal plane, Frankfurt plane and Canine) to facilitate patient alignment. The beams will disappear after 20 minutes or if the 'Ready' button is clicked.

To turn the laser beams on or off, click the  icon on the handle frame or the  icon on the imaging GUI.



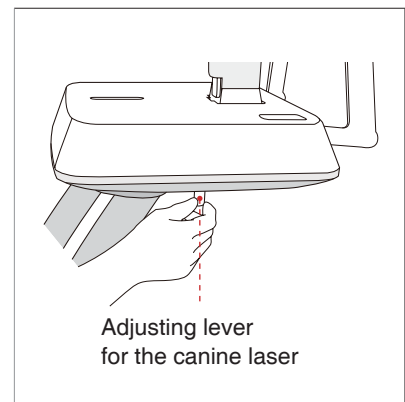
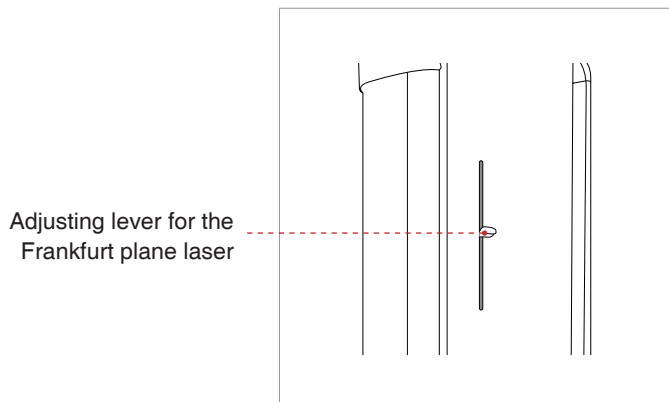
Be careful not to project the laser beams directly into the patient's eyes as this could severely damage the patient's vision.

A. Mid-sagittal plane laser beam: Position the Mid-sagittal plane laser beam at the center of the patient's face to prevent magnifications of the left or right side in the final image.



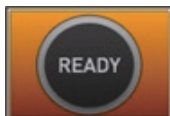
B. Frankfurt plane laser beam: Position the patient's head so that the Frankfurt plane is aligned with the Frankfurt plane laser beam.

C. Canine laser beam: Position the canine laser beam on the left corner of the patient's lips.



Completing Patient Positioning

A. After confirming patient positioning and beam alignment, adjust the temple supports to fit snugly on both sides of the patient's head using the temple support wheel. The temple support wheel is located underneath the patient support rest.



B. Click the **Ready** button on the GUI or touch screen after the patient has been properly positioned. No X-Ray will be emitted at this point. The rotating unit will then move into position for imaging.

C. Proceed to section **6.4: Initiating X-Ray Exposure**.

6.3.3 TMJ Close Mode



You may scan a **TMJ Close** image subsequent to a **TMJ Open** image. Guide the patient to close his / her lips for **TMJ Close** imaging while maintaining the same position used for **TMJ Open** imaging.

The positions are the same for both modes, except for the position of the lips.

A. Shortly after **TMJ Open** imaging has been completed, you will receive the following message:

“Do you want to take the **TMJ Close** image continuously?” Press the **OK** button to capture a **TMJ Close** image.



B. For **TMJ Close** imaging, Have the patient:

- Close his/her mouth
- Keep his/her tongue pressed against his/her palate
- Close his/her eyes

The top of the **TMJ** support must remain in contact with the patient's acanthion point during exposure.

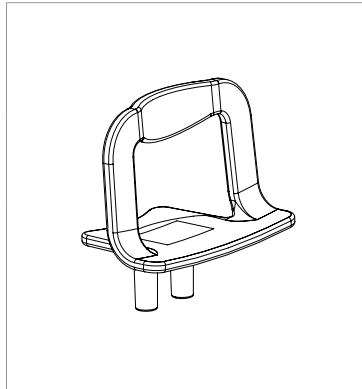
Ask the patient to remain still until scanning is complete.

C. The laser beams should be aligned in the same way as for **TMJ Open** imaging.

D. Proceed to section **6.4: Initiating X-Ray Exposure**.

6.3.4 Sinus Mode

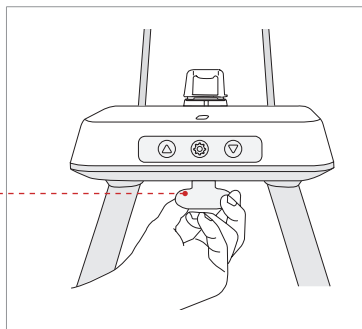
Positioning the Patient



A. Insert the chin support (Sinus) into the receptacle on the equipment.



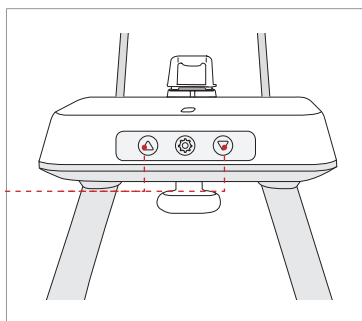
Disinfect the chin support using an alcohol-based cleaning solution and wipe away all residues with a dry cloth before proceeding any further.



Temple support wheel

B. Loosen the temple supports by turning the temple support wheel.

C. Guide the patient —facing the chin support — to the equipment. Have the patient stand upright in the center of the equipment.

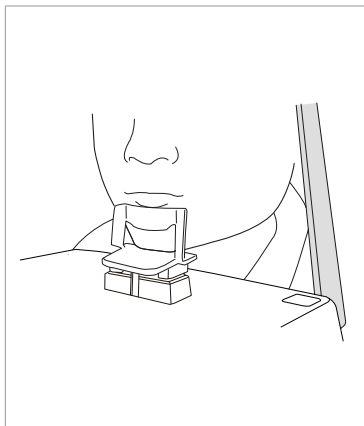


Column up / down button

D. Adjust the height of the equipment using the column up/down button or switch (optional) until the patient's chin rests comfortably on the chin support.

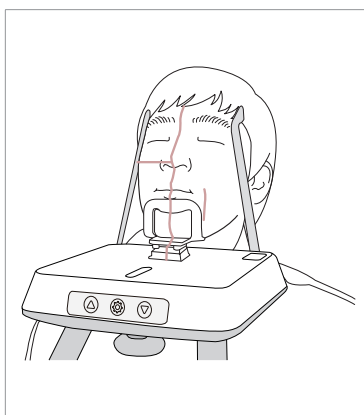
E. Ask the patient to:

- Stand upright
- Firmly grip the handle
- Lean his/her chest lightly against the equipment
- Position his/her feet slightly forward.



F. Ask the patient to press his/her lips against the chin support.

G. Ensure that the patient's shoulders remain level and that his/her neck is relaxed. The cervical spine should be straight and upright.



H. Have the patient:

- Tilt his/her head back by 10-15°
- Close his/her mouth
- Keep his/her tongue pressed against his/her palate
- Close his/her eyes

Ask the patient to remain still until scanning is completed.



CAUTION

To acquire the best image possible, ask the patient not to:



- Breathe or swallow saliva during image acquisition
- Move during image acquisition

Aligning the Laser Beams



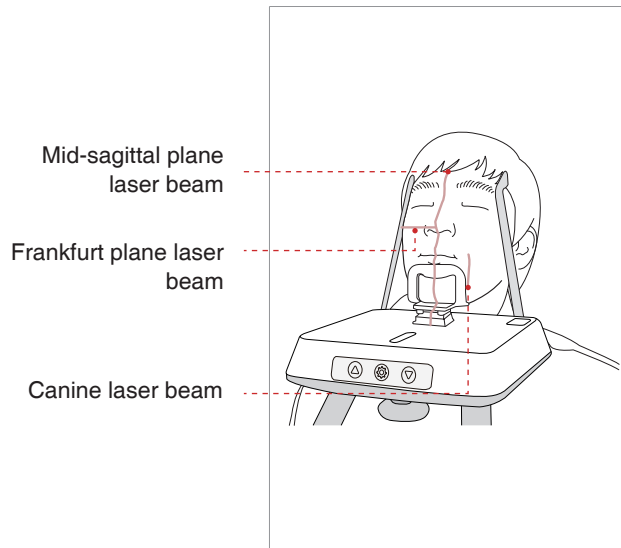
NOTE

Clicking on the 'Confirm' button after setting the parameters for imaging will activate the three laser beams (Mid-sagittal plane, Frankfurt plane and Canine) to facilitate patient alignment. The beams will disappear after 20 minutes or if the 'Ready' button is clicked.

To turn the laser beams on or off, click the  icon on the handle frame or the  icon on the imaging GUI.



Be careful not to project the laser beams directly into the patient's eyes as this could severely damage the patient's vision.



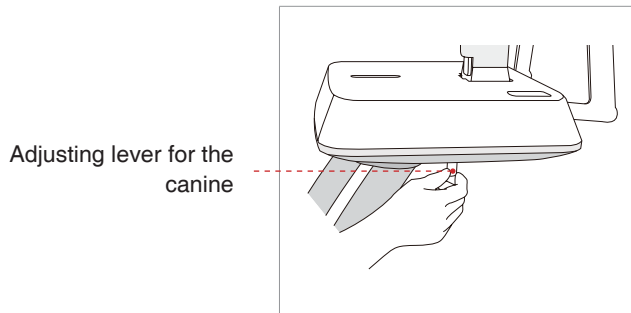
A. Mid-sagittal plane laser beam:

Position the Mid-sagittal plane laser beam at the center of the patient's face to prevent magnifications of the left or right side in the final image.

B. Frankfurt plane laser beam:

The Frankfurt plane laser beam should cross the tip of patient's nose when the patient's head is tilted back 10 – 15°.

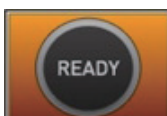
You may adjust the Frankfurt plane laser beam by manually adjusting the Frankfurt plane laser beam lever.



C. Canine laser beam: Have the patient smile to properly position the canine laser beam on the center of the patient's canine tooth.

Completing Patient Positioning

A. After confirming patient positioning and beam alignment, adjust the temple supports to fit snugly on both sides of the patient's head using the temple support wheel. The temple support wheel is located underneath the patient support rest.



B. Click the **Ready** button on the PC or touch screen after the patient has been properly positioned. At this point, X-Ray will not be emitted. The rotating unit will move to position for imaging.

C. Proceed to section **6.4: Initiating X-Ray Exposure**.

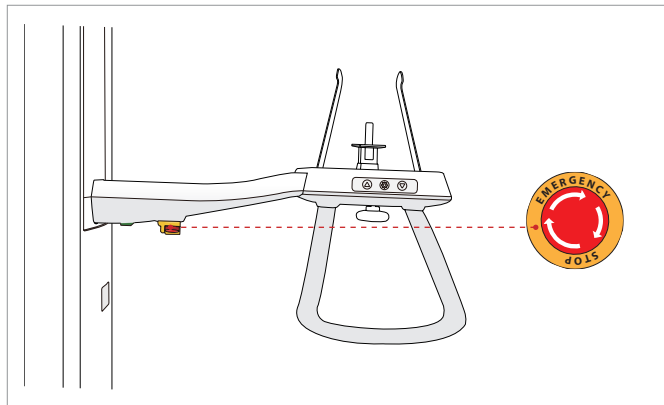
6.4 Initiating X-Ray Exposure

The X-Ray exposure method and its sequences are the same for PANO Standard and PANO Special modes. The example used in this manual is the PANO Standard mode.

To emit the X-ray, perform the following procedure.

If a problem occurs during image acquisition, press the red emergency stop button to immediately stop all moving parts and cut off all power to the equipment's electrical components. You may then safely release the patient from the equipment.

To reset this button, turn it clockwise until it pops up.



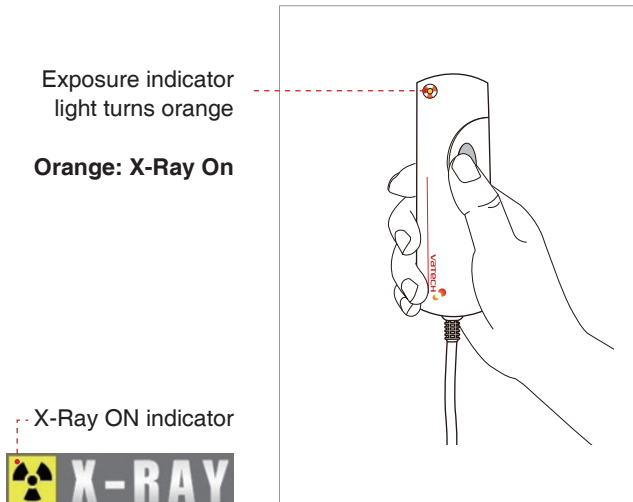
- **Do not operate the PC during exposure. Failure to comply with this instruction may cause the system to malfunction.**
- **The operator shall observe the X-Ray safety regulations applicable to their area at all times during the operation of this equipment.**



If an emergency occurs during image acquisition, release the exposure switch to cease X-Ray emission.

A. Leave the X-Ray room and close the door. The operator must visually monitor the patient at all times during image acquisition.

B. Press and hold down the exposure switch until image acquisition is complete.

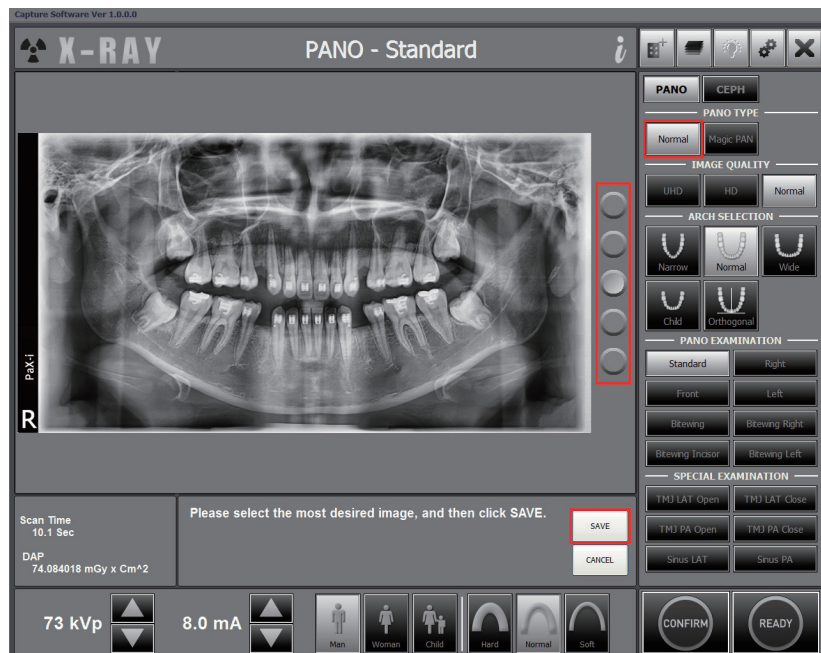


During X-Ray irradiation, ensure that

- The LED lamp on top of the equipment turns orange to indicate X-Ray emission.
- The warning lamp outside the X-Ray room turns on.
- The sound (beep or music: optional) goes off.
- The radiation symbol on the upper left corner of GUI turns yellow to indicate X-Rays are being emitted.

C. The image appears in real time on the imaging GUI.

CASE 1: Normal / AF




Normal / AF: 5 images view is set

To display an image at a time on the screen, either one can be used: clicking the radio button or scrolling the mouse wheel. When clicked on the **Save** button, the current image is saved.



NOTE

With AF feature enabled, the best image of the 2 or 5 images taken can be saved.

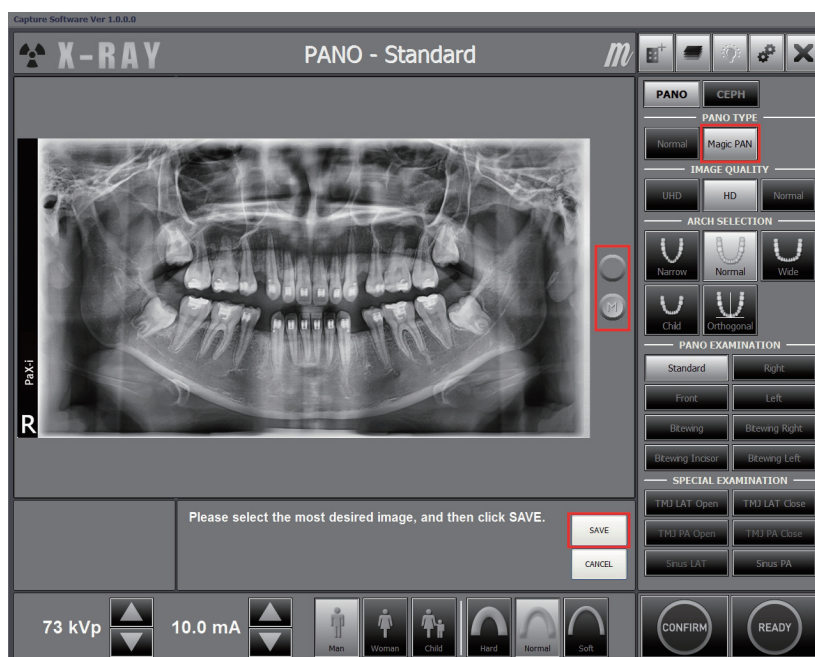
This option can be selected by the user from the settings screen by following the process below: Settings () → PANO / CEPH → Multi focusing setting: Select 2 or 5 images → Save.



NOTE

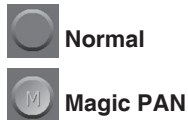
If, for a single image view, the automatic save as a default is selected, the captured image will be saved automatically.

CASE 2: Magic PAN



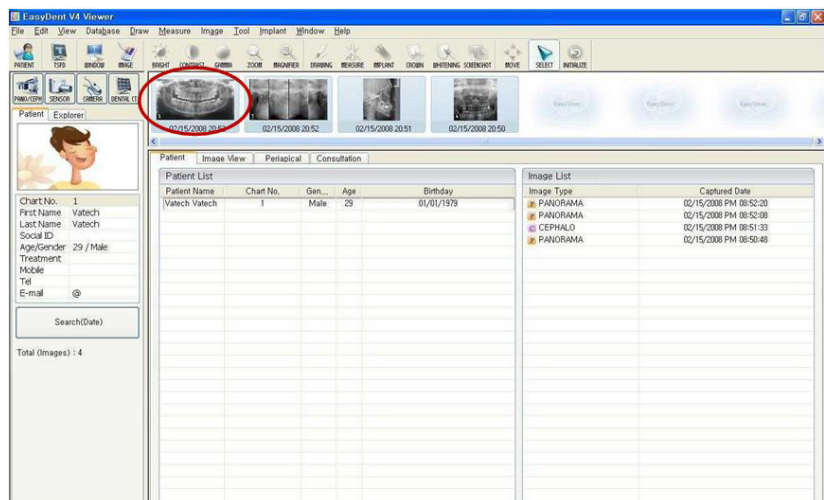
Two images are obtained, with each in the **Magic PAN** and **Normal** respectively. You would click either button to compare them with each other.

The buttons:



D. Click the **Save** button to save the image.

E. The captured image will be automatically transferred to EasyDent. Clicking the patient's name in the patient list after imaging will refresh the image list for that patient. The patient's most recent image will appear on the far left of the image window, as shown below.



F. Double-click an image to enlarge it for viewing or to check the quality of the image, as shown below.



After Image Acquisition

After acquiring the image, complete the following steps:

- Loosen the temple supports to release the patient.
- Remove the hygiene cover from the bite block (for **Standard PANO** mode only).

7

Acquiring CEPH Images

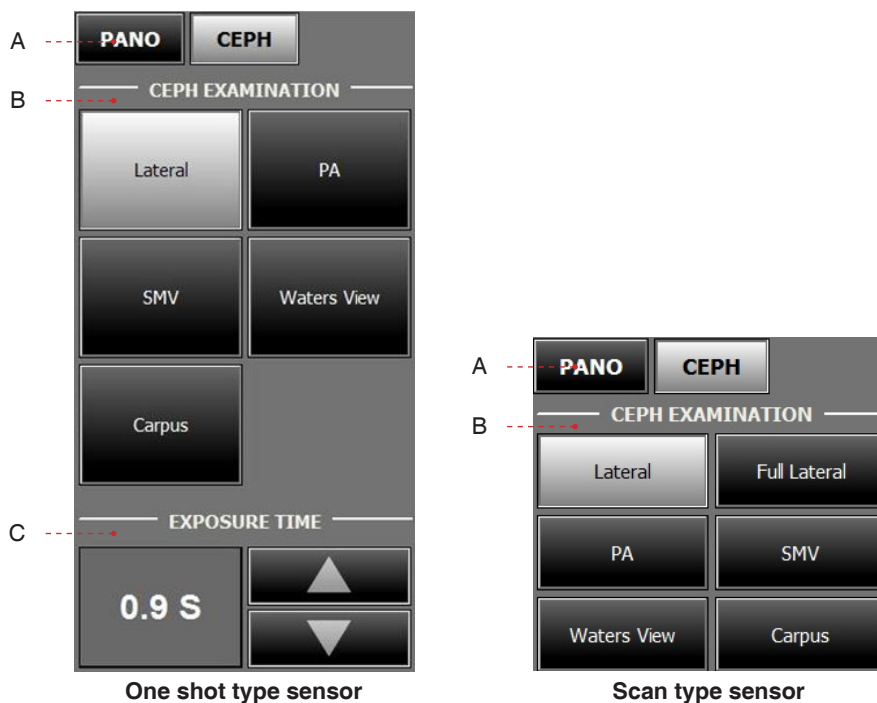
7.1	Setting the Exposure Parameters.....	84
7.2	Positioning the Patient.....	86
7.2.1	Frontal Mode (PA).....	87
7.2.2	Lateral Mode (QR Code).....	89
7.2.3	SMV Mode	90
7.2.4	Waters View Mode.....	92
7.2.5	CARPUS Mode.....	93
7.3	Initiating X-Ray Exposure	94

7 Acquiring CEPH Images

7.1 Setting the Exposure Parameters

Perform the following procedures to set the exposure parameters for the specific patient and capture mode (for more details about CEPH imaging, refer to section 4.3.2: **CEPH Mode**).

Depending on the sensor type employed, one of two kinds of imaging S/W comes with the equipment for the CEPH mode examination.



A. Click the **CEPH** button.

B. Select the scanning mode under **CEPH Examination**. – **Lateral, PA, SMV, Waters View, Carpus**.

C. **Exposure time**

Exposure time can be adjusted by resolution of 0.1 s in the range of 0.7 s to 1.2 s (One shot type only).



NOTE

For information regarding to the exposure time of each CEPH imaging mode, refer to the section '3.4.2 CEPH mode'.



D. The gender and age of the patient is automatically selected according to EasyDent's patient information. Nevertheless, ensure that this information is correct.

Age Group		VATECH's Standard
	Child	≤ 12
Adult	Man	≥ 13
	Woman	



NOTE

A Child is defined as a person who is younger than 12 years old. If Child is selected, the image size and exposure dose are automatically reduced.



E. Select the patient's bone density type: **Hard, Normal, or Soft.**



NOTE

Bone density is determined according to the patient's head size (circumference). **Soft \leq Normal \leq Hard**



F. Default values for the tube voltage (kVp) and current (mA) will be displayed based

on the patient's gender and bone density. If necessary, you may manually adjust these values using the arrows to the right of each value.



NOTE

Adjustable resolution:

- Tube voltage: ± 1 kVp
- Tube current: ± 0.1 mA



G. Click **Confirm** to accept the parameters.

When you click **Confirm** button:

- The **Ready** button will begin blinking to show that it is activate. This means that the equipment is ready for X-Ray exposure.
- The CEPH sensor and the 2nd collimator enter positioning mode.

Scan Time : 0.0
DAP : 0.00 uGy x m²

- The scan time and estimated DAP (Dose Area Product) value are shown on the main display for the intended exposure.

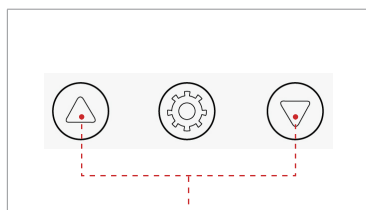
H. Guide the patient to the equipment. Refer to section 7.3: **Positioning the Patient**.

7.2 Positioning the Patient

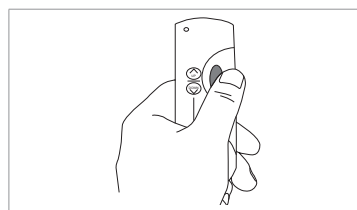
Follow the procedure below to prepare and position the patient for CEPH imaging.

Before Positioning the Patient

- Ask the patient to remove all jewelry and metallic objects, such as earrings, hair pins, spectacles, dentures, and orthodontic appliances. These items may cause shadow images that could impede diagnosis.
- It is strongly recommended that the patient wear a lead apron for protection against any possible scatter radiation.
- Adjust the column height to the patient's height using the up/down button or switch (optional).



Column up/down buttons on the handle frame



Column up/down switch (optional)



Correct positioning is an important factor in capturing the best possible image.



CAUTION

Ensure that the nasal positioner left unfolded, before adjusting the ear rods in the proper direction.



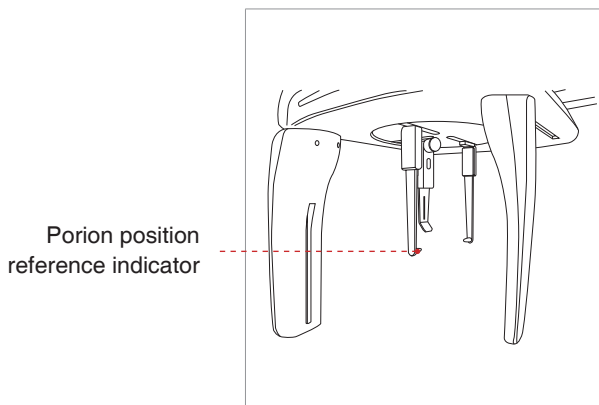
WARNING

Ensure that the patient is clear of all moving parts while adjusting the height of the equipment.

7.2.1 Frontal Mode (PA)

Follow the procedure below to correctly position the patient.

A. Turn the ear rods 90° clockwise from their initial position.

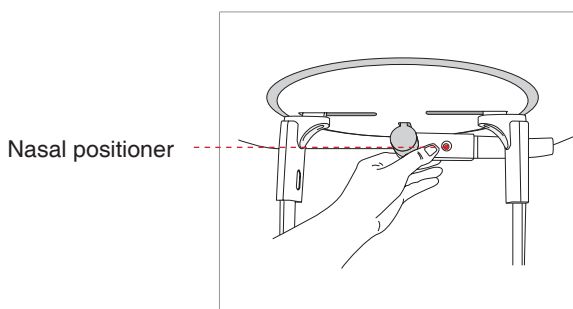


B. Widen the distance between the two ear rods.



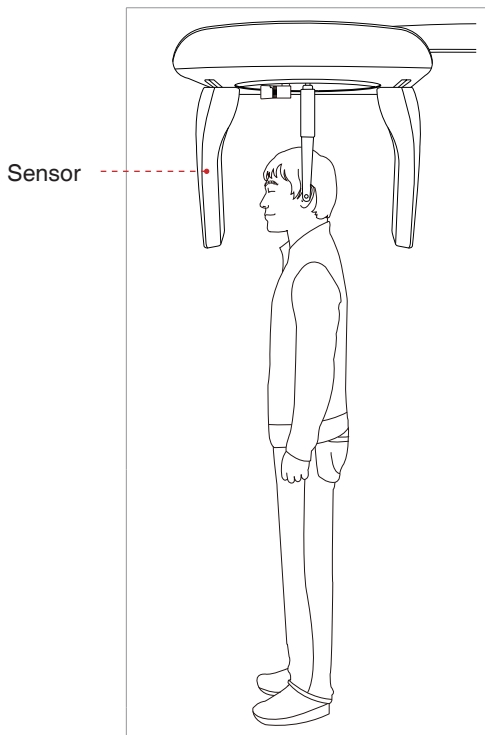
NOTE

Porion position reference indicator enables the operator to easily identify the position of the porion on the image.



C. The nasal positioner should be flipped to the side and upward to prevent it from obstructing the image acquisition.

D. Guide the patient to the CEPH unit.



E. Ask the patient to stand upright facing the sensor.

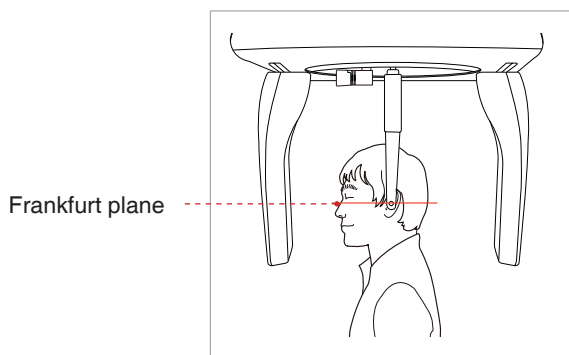
Make sure that the patient's shoulders are level and that his/her neck is relaxed.

F. Adjust the height of the unit to suit the patient by pressing the column up/down button or switch (optional).



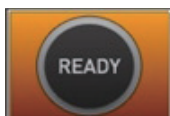
CAUTION

After adjusting the column to the patient's height, fit the ear rods along the patient's ear canals.



G. The ear rods should fit properly along the patient's ear canals. The patient's Frankfurt Plane should be parallel to the floor.

H. Ask the patient to swallow saliva and remain still with his/her mouth closed until X-Ray exposure is complete.



I. Click the **Ready** button after the patient has been positioned. No X-Ray will be emitted at this point. The CEPH sensor and the 2nd collimator will enter capturing mode.

J. Proceed to section 7.4: Initiating X-Ray Exposure.

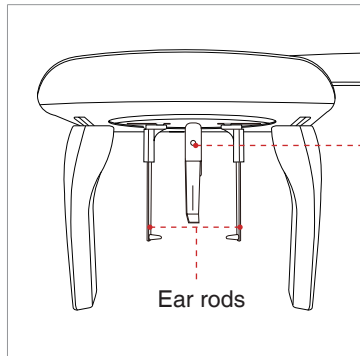
7.2.2 Lateral Mode

Follow the procedure below to position the patient.



CEPH Lateral_ENG

*To link to the video manual: scan the QR code with smart phone or pad.



A. Widen the distance between the two ear rods.

Nasal positioner

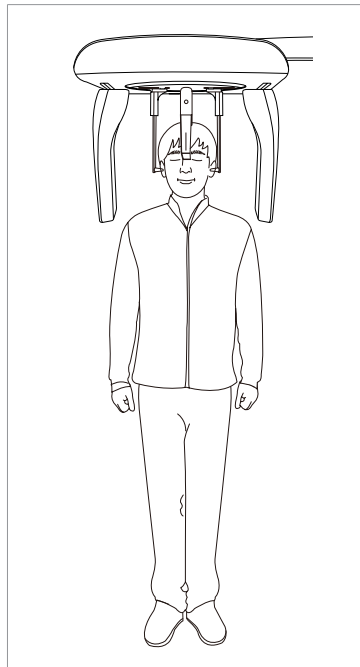
Ear rods



NOTE

Porion position reference indicator enables the operator to easily identify the position of the porion on the image.

B. Guide the patient to the CEPH unit.



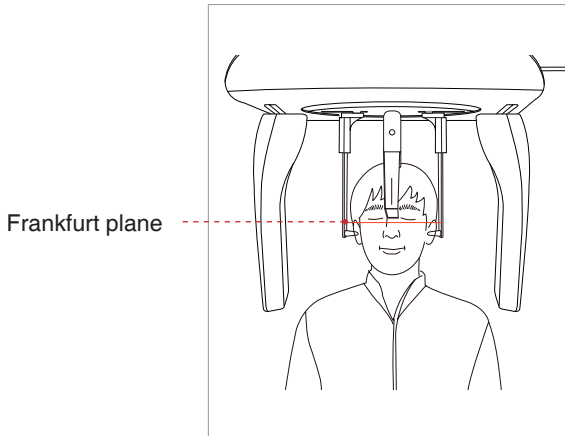
C. Ask the patient to stand upright.

Make sure that the patient's shoulders are level and that their neck is relaxed.

D. Adjust the height of the unit to suit the patient by pressing the column up/down button or switch (optional).



After adjusting the height of the column to suit the patient, fit the ear rods along the patient's ear canals and adjust the nasal positioner.



E. The ear rods should fit properly along the patient's ear canals. The patient's Frankfurt Plane should be parallel to the floor.

F. Position the nasal positioner on the patient's Nasion point. The height of nasal positioner can be adjusted.

G. Ask the patient to swallow saliva and remain still with his/her mouth closed until X-Ray exposure is complete.

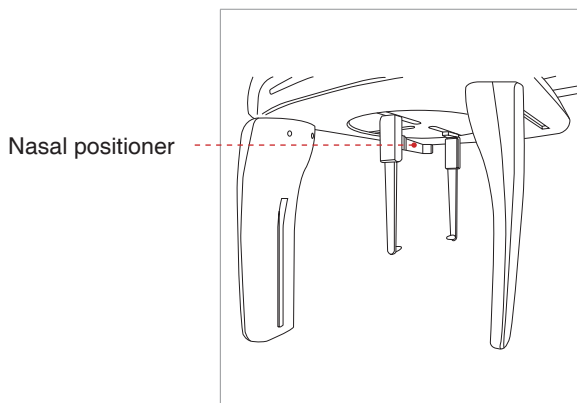


H. Click the **Ready** button after the patient has been properly positioned. No X-Ray will be emitted at this point. The CEPH sensor and the 2nd collimator will enter positioning mode.

I. Proceed to section 7.4: **Initiating X-Ray Exposure.**

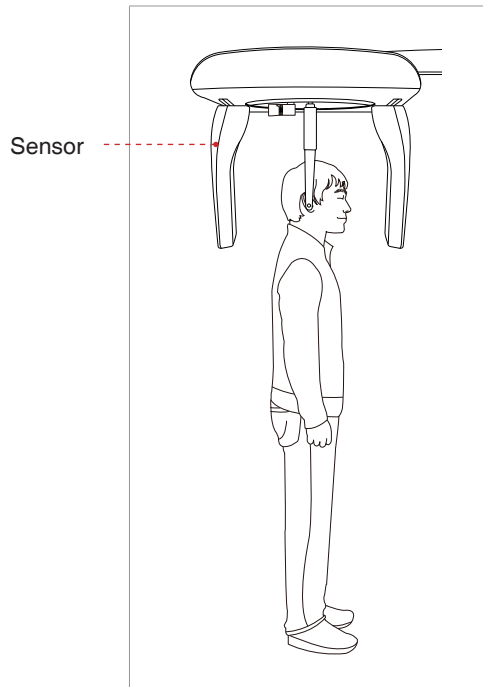
7.2.3 SMV Mode

Follow the procedure below to prepare and position the patient.



A. Widen the distance between the two ear rods.

B. The nasal positioner should be flipped to the side and up to prevent it from obstructing the image acquisition.



C. Guide the patient to the CEPH unit.

D. Ask the patient to stand upright facing the secondary collimator.

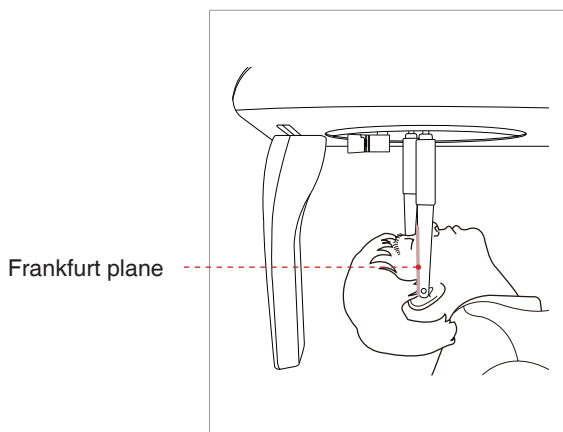
Make sure that the patient's shoulders are level and that his/her neck is relaxed.

E. Adjust the height of the unit to suit the patient by pressing the column up/down button or switch (optional).



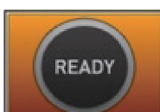
CAUTION

After adjusting the column to suit the height of the patient, fit the ear rods along the patient's ear canals.



F. Place the ear rods along the patient's ear canals. Make sure that the ear rods are comfortably, yet firmly in place.

G. Gently tilt the patient's head back until his/her Frankfurt plane is perpendicular to the floor, as shown below.

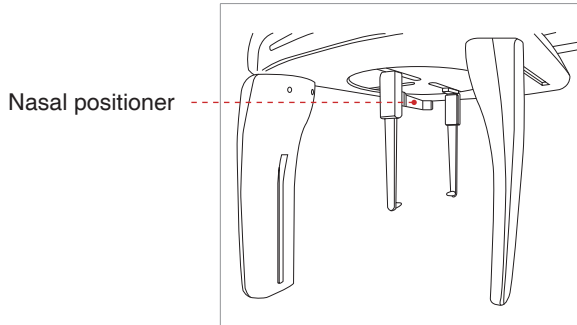


H. Click the **Ready** button after the patient has been properly positioned. No X-Ray will be emitted at this point. The CEPH sensor and the 2nd collimator will enter positioning mode.

I. Proceed to section 7.4: **Initiating X-Ray Exposure.**

7.2.4 Waters View Mode

Follow the procedure below to prepare and position the patient for Waters View mode image acquisition.



A. Widen the distance between the two ear rods.

B. The nasal positioner should be flipped to the side and up to prevent it from obstructing the image acquisition.

C. Guide the patient to the CEPH unit.

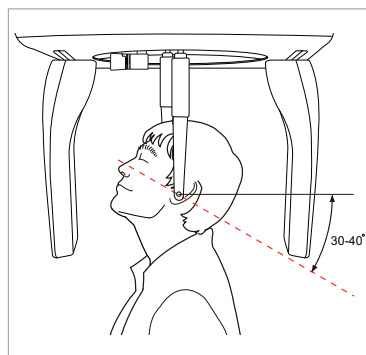
D. Ask the patient to stand upright facing the sensor. Make sure that the patient's shoulders are level and that his/her neck is relaxed.

E. Adjust the height of the unit to suit the patient by pressing the column up/down button or switch (optional).

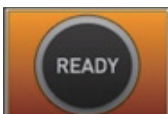


After adjusting the column to suit the height of the patient, fit the ear rods along the patient's ear canals.

F. Place the ear rods along the patient's ear canals. Make sure that the ear rods are comfortably, yet firmly, in place.



G. Ask the patient to swallow saliva and tilt his/her neck back 35° - 40°, with the mouth closed, until X-Ray exposure is complete.

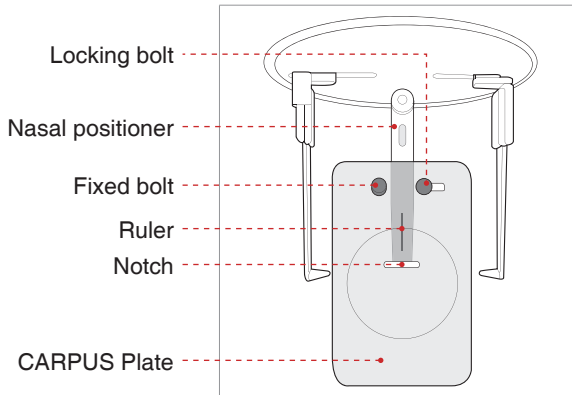


H. Click the **Ready** button after the patient has been properly positioned. No X-Ray will be emitted at this point. The CEPH sensor and the 2nd collimator will move to capturing mode.

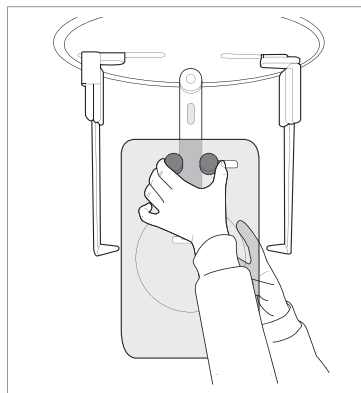
I. Proceed to section **7.4: Initiating X-Ray Exposure**.

7.2.5 CARPUS Mode

Attaching the CARPUS plate



A. Match the notch on the CARPUS plate to the end of nasal positioner.

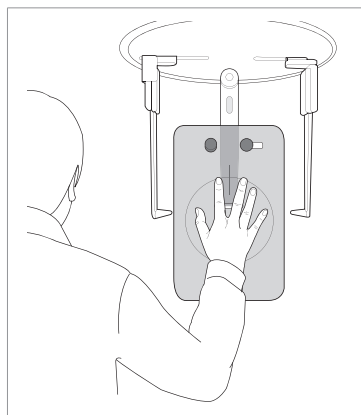


B. Slide the CARPUS plate onto the nasal positioner.

C. Slide the locking bolt on the CARPUS plate towards the nasal positioner and turn it to secure the CARPUS plate in place.

D. Ensure that the CARPUS plate is firmly in place.

Positioning the Patient



A. Ask the patient to put his/her right hand flat on the CARPUS plate. It is important to ensure that the patient does not bend his/her fingers.

B. Have the patient close their eyes and remain still until scanning is complete.



CAUTION

Ask the patient not to block the ruler on the nasal positioner by his / her fingers. It could deteriorate image quality.



C. Click the **Ready** button after the patient has been properly positioned. No X-Ray will be emitted at this point.

D. Proceed to section 7.4: **Initiating X-Ray exposure.**

7.3 Initiating X-Ray Exposure

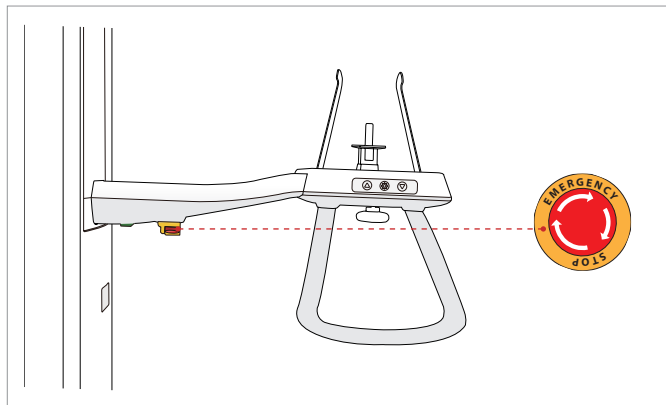
The X-Ray exposure method and process is the same for all CEPH modes. The example and images below are taken from an X-Ray performed in **CEPH Lateral mode.**

If a problem occurs during image acquisition, press the red emergency stop button to immediately stop all moving parts and cut off the power to the equipment's electrical components. You may then proceed to release the patient safely from the equipment.

To reset the emergency button, turn it clockwise until it pops up.



WARNING





- Do not operate the PC during exposure. Failure to comply with this instruction may cause the system to malfunction.
- The operator shall observe the X-Ray safety regulations applicable to their area at all times during the operation of this equipment.



If an emergency occurs during image acquisition, release the exposure switch to cease X-Ray emission.

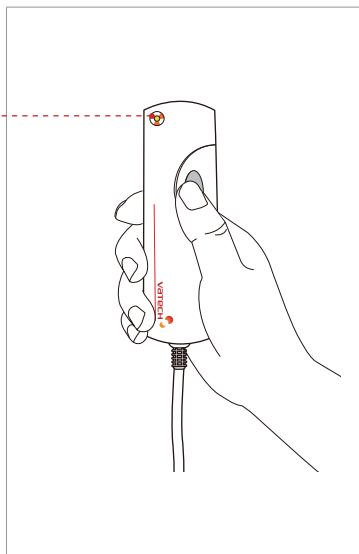
A. Leave the X-Ray room and close the door. The operator must maintain visual contact with the patient at all times during image acquisition.

B. Press and hold down exposure switch until the image is acquired.

Exposure indicator light turns orange

Orange: X-Ray On

X-Ray ON indicator



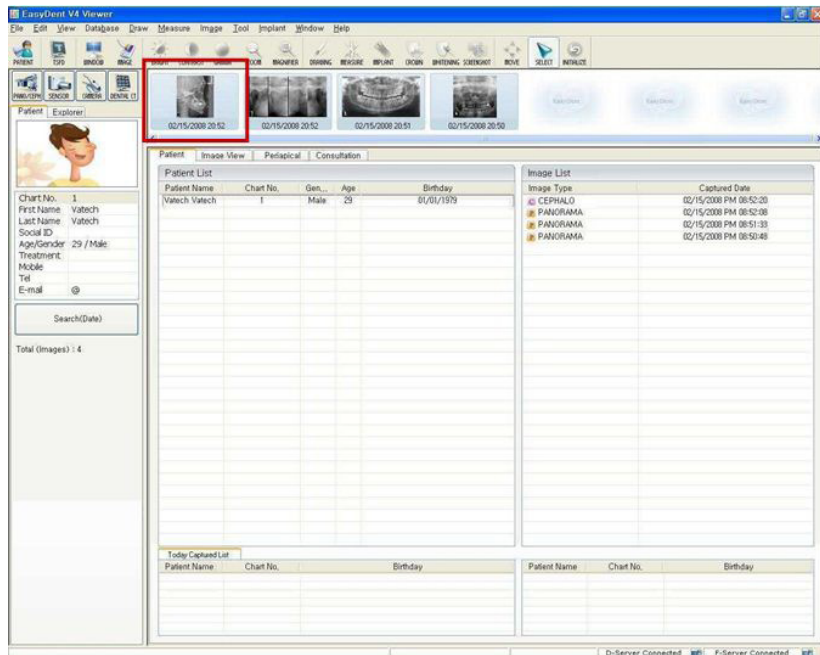
During X-Ray irradiation, ensure that:

- The LED lamp on top of the equipment turns orange to indicate X-Ray emission.
- The warning lamp outside the X-Ray room turns on.
- The sound (beep or music: optional) goes off.
- The radiation symbol on the upper left corner of GUI turns yellow to indicate X-rays are being emitted.

The image appears in real time on the imaging GUI.

C. Click the **Save** button to save the acquired image. If automatic save has been selected as a default setting, the image will be saved automatically.

D. The captured image will be automatically transferred to **EasyDent**. Clicking the patient's name in the patient list after imaging will refresh the image list for that patient. The patient's most recent image will appear on the far left of the thumbnail image pane.



E. Double-click on the image to enlarge it for viewing or to check its quality.

After Image Acquisition

After the image has been acquired, perform the following tasks:

- Fold away the nasal positioner.
- Loosen the ear rod supports and remove them from the patient's ears.
- Release the patient.

8

Troubleshooting

8. Troubleshooting

If a problem occurs while operating this equipment, perform the corresponding troubleshooting measure outlined in the table below. If the problem persists, please contact our customer support staffs.

- If the device is not moving

Cause	Solution
Power failure	Check the equipment's power supply.
Initialization status	Wait until the equipment has initialized and then try again.
Control PC connection failure	Check the connection status of Serial Port (RS232) which connects the PC to the equipment.

- If the exposure switch is not functioning

Cause	Solution
Ready status	Check whether it is ready for capturing at the imaging program.

- If imaging cannot be performed

Cause	Solution
Initialization status	Wait until the equipment has initialized and then try again. If this problem persists, restart the equipment.

- If the laser beam has shut off and patient alignment cannot be performed

Cause	Solution
The time allotted for patient alignment has expired	Press the laser beam button to turn on the lasers and then carry out patient alignment.



- Do not allow any liquids in the vicinity of the machine as moisture may cause extensive damage to this equipment's electrical components.
- If a severe problem occurs during image acquisition, press the red emergency stop button to immediately stop all moving parts and cut off all power to the equipment's electrical components. You may then safely release the patient from the equipment.

9

Cleaning and Maintenance

9.1	Cleaning	100
9.2	Maintenance	101

9. Cleaning and Maintenance




Always turn off the power to the equipment and disconnect it from the power outlet before cleaning.

9.1 Cleaning

- Thoroughly clean areas of the equipment which come into contact with the patient, such as the handle frame, chin support and bite block.
- Do not use spray cleaners or solvents as they could enter the equipment and damage to the electrical components or cause a fire.
- Do not use abrasive liquids such as acetone, gas, or oil, which could corrode the surface of the equipment.
- Do not use cleaning products which contain silicon as they could potentially damage the equipment's electrical components.

The following table summarizes the standard cleaning procedures to be performed by the operator.

Accessories	Cleaning Process
Bite block	Clean the bite blocks using an alcohol-based disinfectant and dry thoroughly with a soft dry cloth, before each patient is X-rayed.
Temple support	Clean the temple support using an alcohol-based disinfectant and dry thoroughly with a soft dry cloth before each patient is X-rayed.
Chin support	Clean the chin support using an alcohol-based disinfectant before each patient is X-rayed.
All components that come into contact with the patient or operator	Clean components using an alcohol-based disinfectant before each patient is X-rayed.

Accessories	Cleaning Process
Computer and peripherals	Follow the manufacturers' instructions found in the accompanying manuals.
Outer covers of equipment	Wipe the unit with a dry cloth at the end of each day.
	 Do not use cleaning agents in aerosol or spray form directly on the surface of the equipment. <small>WARNING</small>

9.2 Maintenance

VATECH requires periodic constancy tests to ensure image quality and the safety for the patient and operator.

Only VATECH authorized technicians can perform inspection and service of this equipment. For the technical assistance, contact VATECH service center or your local VATECH representative.

Maintenance Task Checklist

Maintenance Tasks	Maintenance period
Before operation, ensure that the equipment is clean and ready for use. Make sure that all parts which come into contact with the patient have been disinfected and cleaned.	Daily
After using the equipment, make sure that the main power switch has been turned off.	Daily
Ensure that the equipment is firmly plugged into a dedicated power source.	Daily
Ensure that the plug and power cord are not hot.	Daily
Confirm that the orange (exposure) indicator lamp turns on when the exposure switch is pressed. Ensure that the orange (exposure) indicator light remains on for the entire duration of the exposure.	Daily

Maintenance Tasks	Maintenance period
Ensure that the power cable is not kinked, broken, exposed and that it is free of all other defects.	Weekly
Confirm that activating the emergency stop button ceases the unit's operation. Pressing the emergency stop button should stop all equipment movements and X-Ray emission.	Weekly
Ensure that all visible labels are intact and legible.	Monthly
Check for possible wear or damage to the exposure switch cable.	Monthly
Confirm that the audio message is audible throughout the duration of the exposure.	Monthly

10

Disposing of the Unit

10. Disposing of the Unit

In order to reduce environmental contamination, this equipment is designed to be as safe as possible to use and dispose of. Many components of this equipment, except for some like X-Ray tube, are environment-friendly and can be recycled.

All parts and components which contain hazardous materials must be disposed in accordance with disposal regulations. (IEC 60601-1 6.8.2 j)

Part	Material	Recyclable	Waste Disposal Site	Hazardous waste; Needs Separate Collection
Frame and covers	Aluminum and plastics	●		
Motors		●		
Circuit boards		●		
Cables and transformer	Copper	●		
	Steel	●		
	Oil		●	
Packing	Wood	●		
	Cardboard	●		
	Paper	●		
X-Ray tube				●
Sensor head	Return the sensor head to VATECH			
Other parts			●	



NOTE

Please observe all regulations relevant to the disposal of waste in your country.



WARNING

This dental equipment shall not be disposed of as domestic garbage materials.



IMPORTANT

Please clean, disinfect and sterilize the equipment before disassembling it and disposing of its parts.

11

Technical Specifications

11.1	Mechanical Specifications	106
11.2	Technical Specifications	112
11.3	Electrical Specifications	115
11.4	Environmental Specifications	116

11. Technical Specifications

11.1 Mechanical Specifications

A. Image Magnification

Mode	FDD (mm)	FOD (mm)	ODD (mm)	Magnification
PANO	490.3	375.5	114.8	1.3 constant
CEPH	1,745	1,524	221	1.14 constant

FDD : Focal Spot to Detector Distance

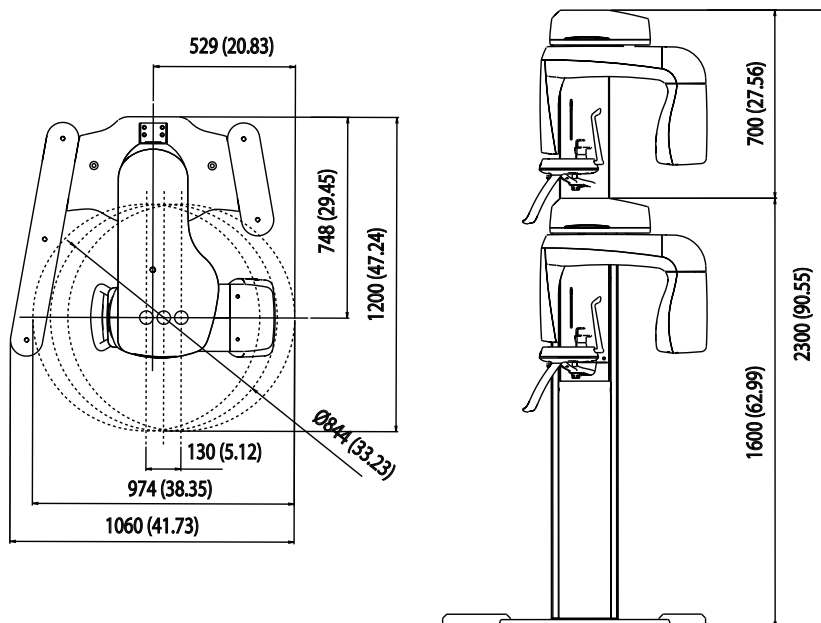
FOD : Focal Spot to Object Distance

ODD : Object to Detector Distance (ODD = FDD - FOD)

Magnification = FDD / FOD

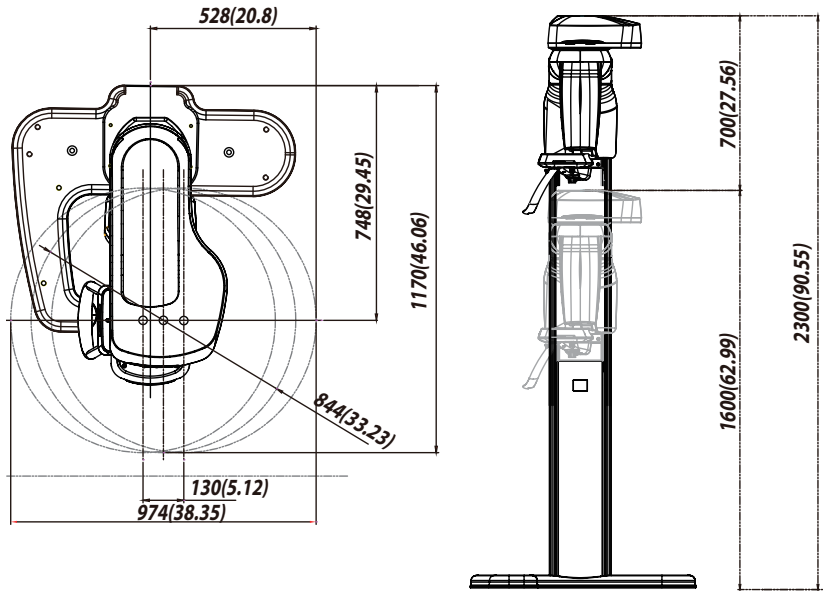
B. Dimension

- Without Cephalometric Unit / Base Type A (optional)



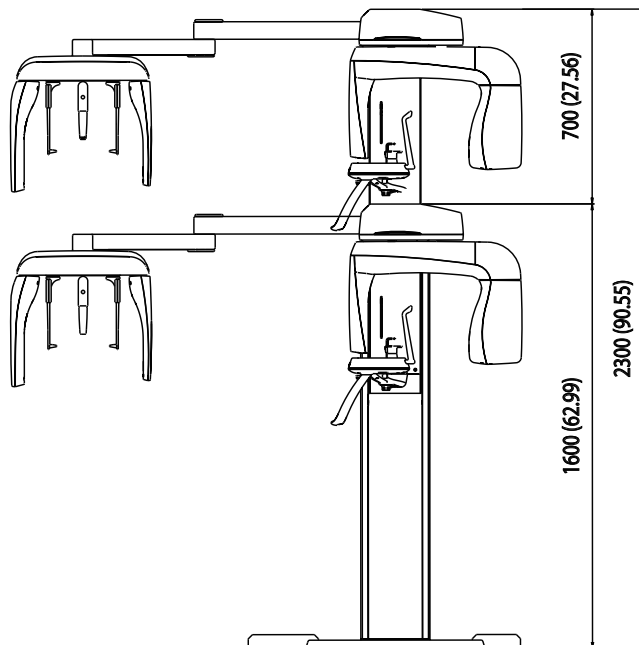
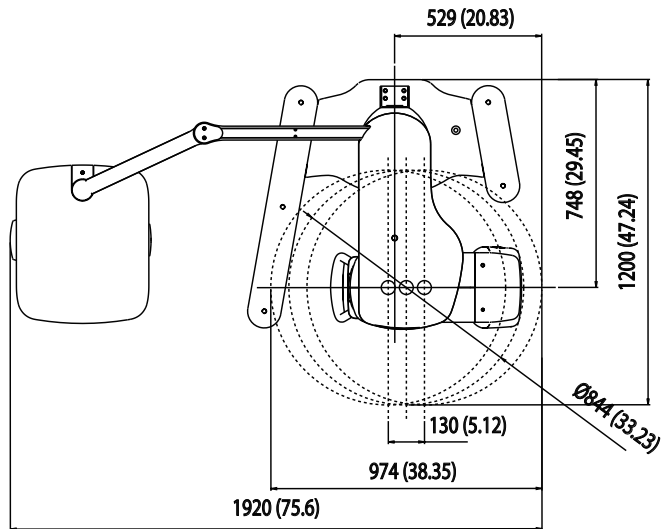
[Unit: mm (Inches)]

- Without Cephalometric Unit / Base Type B (optional)



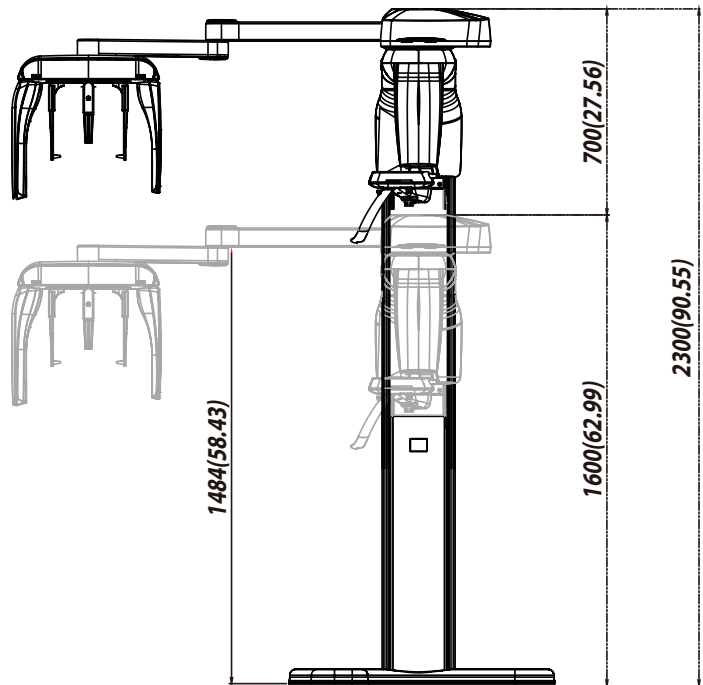
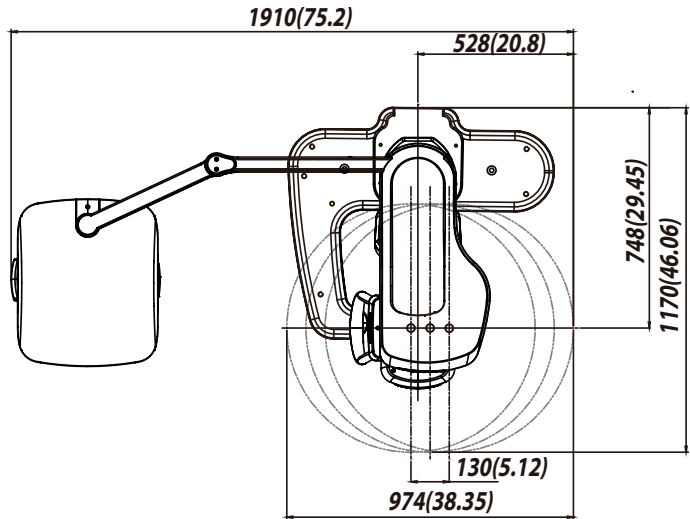
[Unit: mm (Inches)]

- With Cephalometric Unit (Scan Type) / Base Type A (optional)



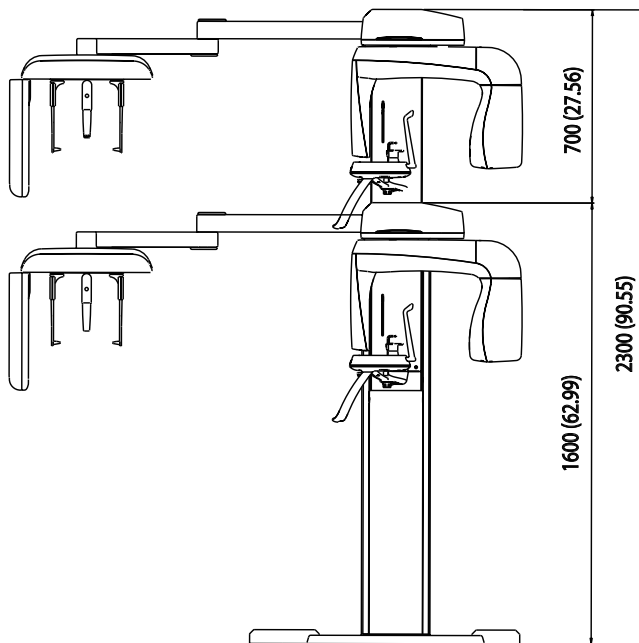
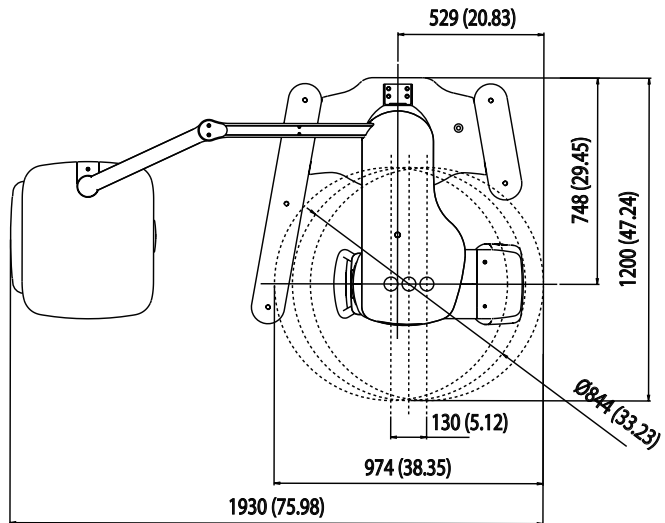
[Unit: mm (Inches)]

- With Cephalometric Unit (Scan Type) / Base Type B (optional)



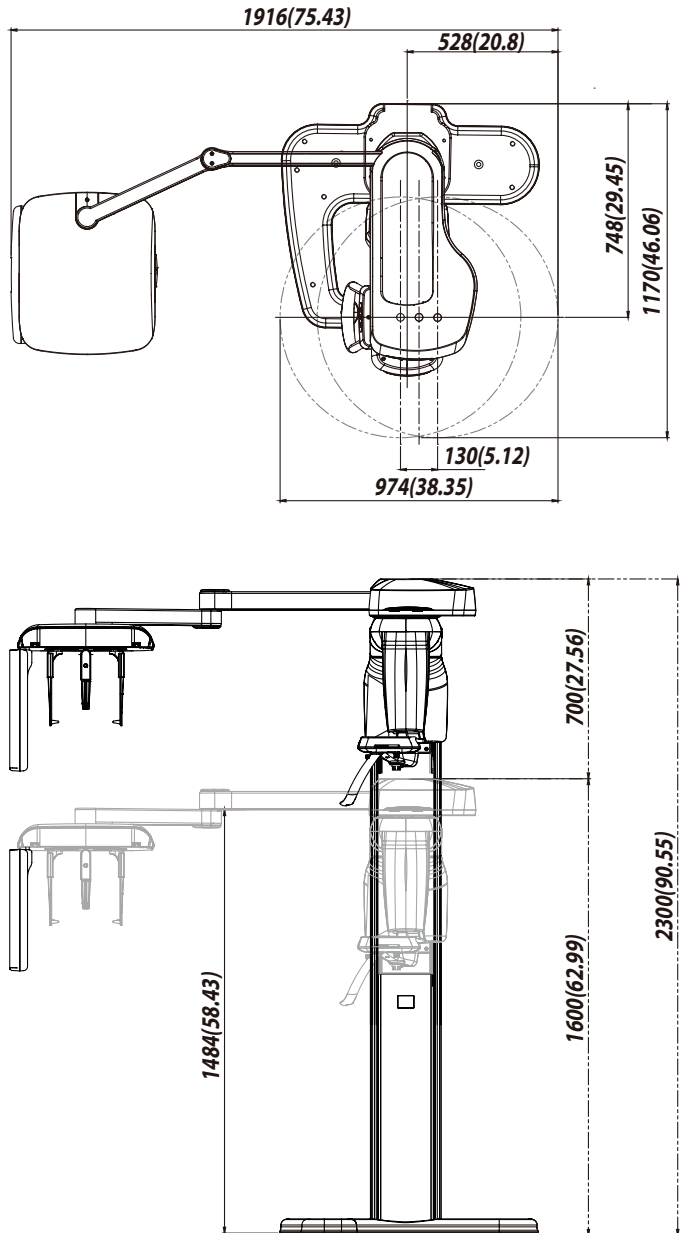
[Unit: mm (Inches)]

- With Cephalometric Unit (One shot Type) / Base Type A (optional)



[Unit: mm (Inches)]

- With Cephalometric Unit (Scan Type) / Base Type B (optional)



[Unit: mm (Inches)]



NOTE

2,300 mm, represents the total height of the equipment with the column extended fully.

Item		Description
Weight (kg)	Without CEPH unit	90 (198.4 lbs)
		With base: 140 (308.6 lbs)
	With CEPH unit (Scan type)	120 (264.5 lbs)
		With base: 170 (374.8 lbs)
	With CEPH unit (One shot type)	130 (286.6 lbs)
		With base: 180 (396.8 lbs)
Total height (mm)		Max. 2300 (90.55 in.)
Vertical column movement (mm)		Max. 700 (Max. 27.56 in.)
Length x Width x Height (mm)	Without CEPH unit	1060(L) x 1200(W) x 2300(H) (41.73(L) x 47.24(W) x 90.55(H) in.)
	With CEPH unit (Scan Type)	1920(L) x 1200(W) x 2300(H) (75.6(L) x 47.24(W) x 90.55(H) in.)
	With CEPH unit (One shot Type)	1930(L) x 1200(W) x 2300(H) (75.98(L) x 47.24(W) x 90.55(H) in.)
Type of installation		Base Stand / Wall Mount

* Column Height Limiting Function -> 2300~2000 (Adjustable in 10 mm)

11.2 Technical Specifications

X-Ray Generator

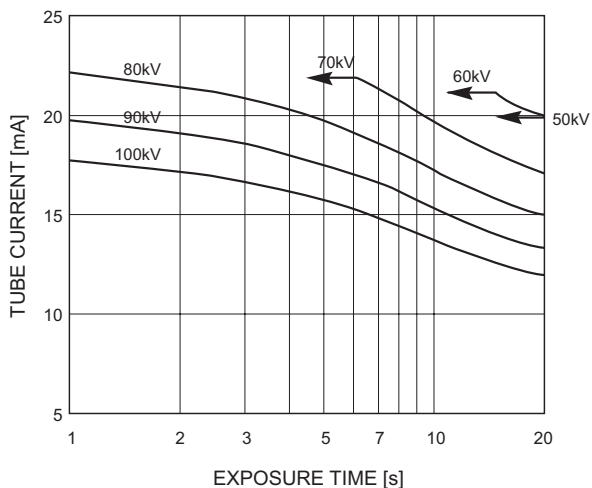
Item		Description	
Model		HDG-07B10T2	
Rated output power		0.99 KW	
High voltage generator	Type	40 KHz Inverter Type	
	Normal/ Pulse	kV	50 ~ 90
		mA	4 ~ 10
	Cooling	Automatically controlled / Protect ≥ 60 °C Air Cooling : Optional	

Item		Description
	Total filtration	2.8 mm Al eq.
X-Ray Tube	Manufacturer	Toshiba
	Model	D-052SB(Stationary Anode Type)
	Focal spot size	0.5 mm (IEC60336)
	Target Angle	5 °
	Inherent Filtration	At least 0.8 mm Al eq. at 50 kV
	X- ray Coverage	95 x 380 mm at SID 550 mm
	Anode Heat Content	35 kJ
	Duty Cycle	1:60 or more (Exposure time : interval time)

S/N	XXXX	XXX	XX	XX	XX	XX	XXXX
	Model	Tube	Inverter ver.	F/W ver.	Weekly code	Yearly code	serial

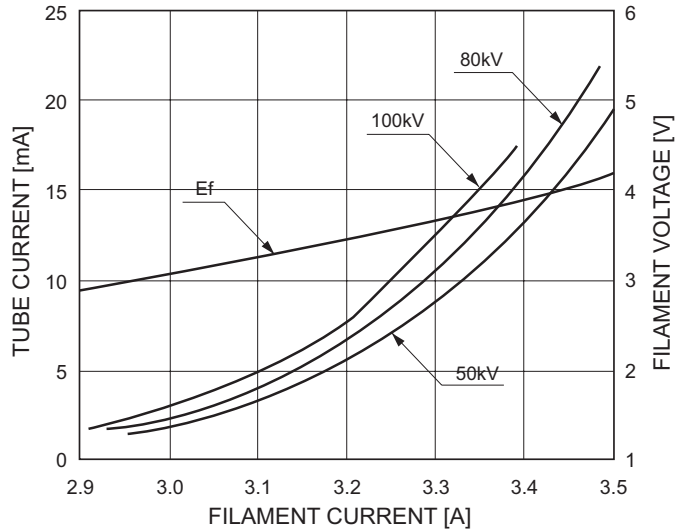
Maximum Rating Charts DC (Center Grounded)

Constant potential high-voltage generator
Nominal Focus Spot Value: 0.5

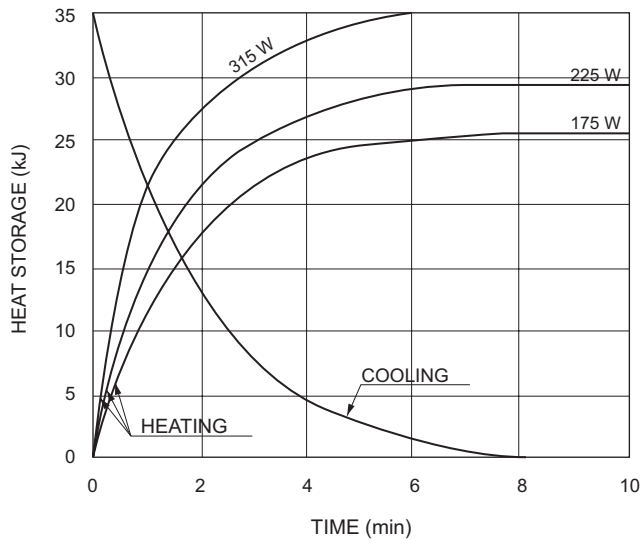


Emission & Filament Characteristics

Constant potential high-voltage generator
Nominal Focus Spot Value: 0.5



Anode Thermal Characteristics



Detector Specifications

Item	Description			
	PANO	CEPH (optional)		
Model	Xmaru1501CF	Xmaru2301CF	1210SGA	910SGA
Detector Type	CMOS photodiode array		Amorphous silicon TFT with scintillator	
Pixel size (μm)	100		127	
Active area (mm)	6 x 150.4	5.9 x 230.4	264 x 325	222 x 254
Frame Rate	300 fps	200 fps	240 fph	
Sensor size (mm)	175.4 x 86 x 21.6	251.2 x 69 x 27.1	402 x 364 x 32	314 x 279 x 24
A/D (bits)	14			

11.3 Electrical Specifications

Item	Description
Power supply voltage	AC 100 - 120 V / 200 - 240 V - AC 110 V / 230 V (European Union or The rest countries) - AC 100 V (Japan) - AC 110 V (Taiwan) - AC 120 V (USA / Canada) - AC 220 V (China) - AC 240 V (Australia)
Frequency	50 / 60 Hz (Single)
Power rating	Max.1.8 kVA

- The input line voltage depends on the local electrical distribution system.
- Allowable input voltage fluctuation requirement: $\pm 10\%$.

11.4 Environmental Specifications

	Item	Description
During operating	Temperature	10 ~ 35 °C
	Relative humidity	30 ~75 %
	Atmospheric pressure	860 ~ 1060 hPa
Transport and storage	Temperature	-10 ~ 60 °C
	Relative humidity	10 ~ 75 % non condensing
	Atmospheric pressure	860 ~ 1060 hPa

Appendices

1.	Recommended X-Ray Exposure Table	118
2.	X-Ray Dose Data.....	120
2.1	DAP Table	120
2.2	X-Ray Scatter Dose.....	121
3.	Abbreviations	123

1. Recommended X-Ray Exposure Table

A. PANO mode

Scan Time Mode: UHD / HD

Gender / Figure	Hard (kVp / mA)	Normal (kVp / mA)	Soft (kVp / mA)
Man	74 / 10	73 / 10	72 / 10
Woman	73 / 10	72 / 10	71 / 10
Child	68 / 8	67 / 8	66 / 8

Scan Time Mode: Normal

Gender / Figure	Hard (kVp / mA)	Normal (kVp / mA)	Soft (kVp / mA)
Man	74 / 8	73 / 8	72 / 8
Woman	73 / 8	72 / 8	71 / 8
Child	68 / 8	67 / 8	66 / 8

B. CEPH mode

Lateral

Figure Gender	Hard (kVp / mA)		Normal (kVp / mA)		Soft (kVp / mA)	
	One shot	Scan	One shot	Scan	One shot	Scan
Man	90 / 10	86 / 10	90 / 10	85 / 10	89 / 10	84 / 10
Woman	90 / 10	85 / 10	90 / 10	84 / 10	89 / 10	83 / 10
Child	86 / 10	81 / 10	85 / 10	80 / 10	85 / 10	80 / 9

PA / SMV / Waters View

Figure Gender	Hard (kVp / mA)		Normal (kVp / mA)		Soft (kVp / mA)	
	One shot	Scan	One shot	Scan	One shot	Scan
Man	90 / 10	88 / 10	90 / 10	87 / 10	89 / 10	86 / 10
Woman	90 / 10	87 / 10	90 / 10	86 / 10	89 / 10	85 / 10
Child	86 / 10	83 / 10	85 / 10	82 / 10	84 / 10	81 / 10

Carpus

Gender / Figure	Hard (kVp / mA)	Normal (kVp / mA)	Soft (kVp / mA)
Man / Woman / Child	60 / 6	60 / 5	60 / 4



NOTE

- Maximally allowed tube voltage / current: kVp \pm 10 % / mA \pm 20 % according to IEC60601-2-7.
- Due to image optimization performed prior to shipping, equipment data may differ slightly from those specified in the table.

2. X-Ray Dose Data

The X-Ray dose data is extracted from the X-Ray Dose Test Report for the PaX-i.

X-Ray Dose Test Report for the PaX-i maintains dosimetric evaluation of VATECH dental diagnostic system meets all requirements specified in the IEC Collateral Standard. To limit unnecessary exposure to the patient, operator or other staff, the PaX-i is designed to comply with IEC 60601-1-3 Part 1 General Requirements for Safety.

Test Condition	
Model (Brand Name)	PCH-2500 (PaX-i)
Sensor type	PANO: Xmaru 1501CF CEPH: Xmaru 2301CF
Tube type / Inverter type	EXG9

2.1 DAP Table

Testing Equipment			
Instrument	Manufacturer	Model	S/N
Dose Meter	Piranha	255	CB2-08050121

Mode Tested: PANO HD Normal, 13.5 s						
mA \ kVp	4		5		8	
	[mGy]	[mGy · cm2]	[mGy]	[mGy · cm2]	[mGy]	[mGy · cm2]
60	5.01	33.5	7.79	52.0	10.26	68.4
70	7.12	47.5	10.41	69.5	13.72	91.6
80	9.06	60.5	13.26	88.5	17.48	116.7
90	11.12	74.2	16.28	108.7	21.45	143.1

Mode Tested: CEPH PA, 12.94 s						
mA \ kVp	4		5		8	
	[mGy]	[mGy · cm ²]	[mGy]	[mGy · cm ²]	[mGy]	[mGy · cm ²]
60	0.39	4.66	0.57	6.84	0.73	8.85
70	0.51	6.14	0.75	9.05	0.98	11.80
80	0.65	7.88	0.96	11.57	1.25	15.11
90	0.80	9.68	1.18	14.30	1.55	18.78

2.2 X-Ray Scatter Dose

Test Equipment Information			
Instrument	Manufacturer	Model	S / N
Dose Meter	Victoreen	660	101114 / 101377

PANO Mode

Test Condition	
Mode Tested	PANO UHD
Distance from focal point [m]	1
Applied Tube Voltage Peak [kVp]	90
Applied Tube Current [mA]	10

Mode \ Direction [°]	PANO UHD, 16.6 s [mR/hr]		
	1 m (3.3 ft)	1.5 m (4.9 ft)	2 m (6.6 ft)
0	15.3	9.76	2.32
45	35.3	22.9	16.5
90	70.6	40.8	21.8
135	387	237	106
180	408	266	114

Direction [°]	Mode	PANO UHD, 16.6 s [mR/hr]		
		1 m (3.3 ft)	1.5 m (4.9 ft)	2 m (6.6 ft)
225		166	63.9	38.8
270		29.5	13.4	7.74
315		19.6	10.1	6.33

3. Abbreviations

AC	Alternating Current
AF	Auto-Focusing
AMPT	Adaptive layer Mode Panoramic Tomography
CAN	Controlled Area Network
CMOS	Complementary Metal-Oxide-Semiconductor
DAP	Dose Area Product
DC	Direct Current
EMC	Electromagnetic Compatibility
ESD	ElectroStatic Discharge
EUT	Equipment Under Test
FDD	Focal spot to Detector Distance
FOD	Focal spot to Object distance
FOV	Field of View
FPD	Flat Panel Detector
IEC	International Electro technical Commission
ISO	International Standards Organization
LED	Light-Emitting Diode
MPSO	Multiple Portable Socket-Outlet
ODD	Object to detector distance
PA	Posterior/Anterior
RF	Radio Frequency
ROI	Region of Interest
SID	Source to Image receptor Distance
SIP	Signal Input Part
SOP	Signal Output Part
SMV	Submento-Vertical
TMJ	Temporomandibular Joint
UHD	Ultra High Definition

Copyright by © 2012 VATECH

All rights reserved.

The documentation, brand name and logo used in this manual are copyrighted.

No part of this manual may be reproduced, transmitted, or transcribed without the expressed written permission of the manufacturer.

We reserve the right to make any alterations which may be required due to technical improvement. For the most current information, contact your VATECH representative.

Manufactured by VATECH Co., Ltd.

Tel: +82-1588-9510

Email: gcs@vatech.co.kr

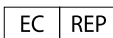
Website: www.vatech.co.kr

Headquarters: 23-4, Seogu-dong, Hwaseoung-si, Gyeonggi-do, Korea

Factory: 23-4, Seogu-dong, Hwaseoung-si, Gyeonggi-do, Korea



The CE symbol grants this product compliance to the European Directive for Medical Devices 93/42/EEC as amended by 2007/47/EC as a class II b device.



**EC Representative; Vatech Dental Manufacturing Ltd.
Axiom House, The Centre, Feltham, Middlesex TW13 4AU
UK
Tel: +44-0208-831-1660
Fax: +44-0208-831-1679**



Postal Code: 445-170
23-4, Seogu-dong, Hwaseoung-si, Gyeonggi-do, Korea
www.vatech.co.kr